

# ORECK® XI

SIMPLY AMAZING®



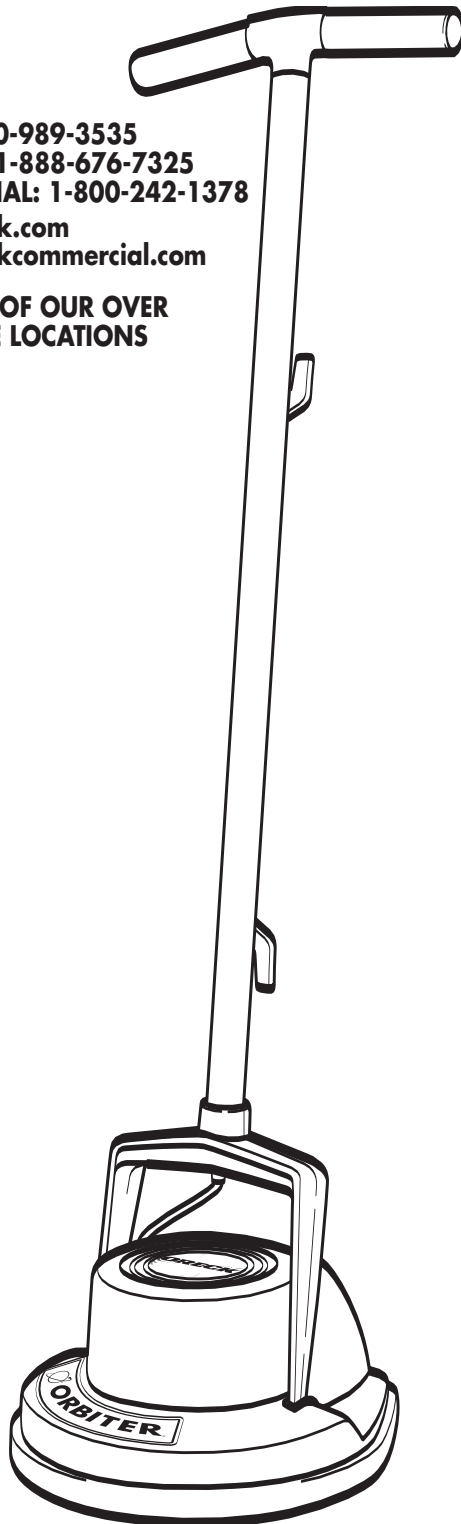
USA: 1-800-989-3535  
CANADA: 1-888-676-7325  
COMMERCIAL: 1-800-242-1378



www.oreck.com  
www.oreckcommercial.com



VISIT ONE OF OUR OVER  
450 STORE LOCATIONS



## USER'S GUIDE

# ORBITER®

### MULTI-FLOOR MACHINE

**RORB400**  
**RORB550**  
**RORB600**  
**RORB700**  
**SERIES**

**•IMPORTANT•**  
**SAVE THIS BOOKLET!**

Includes:

- Safety Warnings
- Warranty
- Operating Instructions
- Trouble Diagnosis
- Accessories

**BEFORE OPERATING  
CLEANER, READ ALL  
INSTRUCTIONS IN THIS  
MANUAL CAREFULLY.**

**Table of Contents**

**SAFETY & GENERAL INFORMATION** ..... 2

Important Safety Instructions ..... 2

Grounding Information ..... 3

Warranty ..... 3

Customer Service ..... 4

**INTRODUCTION** ..... 4

**GETTING STARTED** ..... 4

Attaching Accessories ..... 4

Removing Accessories ..... 5

Turning Floor Machine On and Off ..... 5

To Guide the Floor Machine ..... 5

**CARPET & AREA RUG APPLICATIONS** ..... 5

Dry Carpet Cleaning ..... 5

Bonnet Cleaning ..... 5

**LAMINATE, VINYL AND  
LINOLEUM FLOOR APPLICATIONS** ..... 6

Surface Cleaning ..... 6

Scrubbing ..... 6

Stripping ..... 6

Refinishing ..... 7

**SEALED HARDWOOD  
FLOOR APPLICATIONS** ..... 7

Surface Cleaning Sealed Floors ..... 7

Sandscreening ..... 8

**WAXED HARDWOOD  
FLOOR APPLICATIONS** ..... 8

Surface Cleaning and Waxing Hard Wood Floors ..... 8

**TILE FLOOR APPLICATIONS** ..... 8

Deep Cleaning ..... 8

Light Cleaning ..... 9

**STONE FLOOR APPLICATIONS** ..... 9

Deep Cleaning ..... 9

Marble Restoration ..... 9

**CONCRETE & ASPHALT APPLICATIONS** ..... 10

Removing Oil & Dirt ..... 10

**ACCESSORIES** ..... 10

General ..... 10

Bonnets ..... 10

Pads ..... 10

Brushes ..... 11

Sand Screens ..... 11

**MAINTENANCE & TROUBLESHOOTING** ..... 11

Care of your Oreck Floor Machine ..... 11

User Maintenance ..... 11

Troubleshooting Guide ..... 12

**Safety &  
General Information**

**IMPORTANT  
SAFETY INSTRUCTIONS**

When using an electrical appliance, basic precautions should always be followed, including the following:

**READ ALL INSTRUCTIONS BEFORE  
USING THIS MULTI-FLOOR MACHINE**



**WARNING**

**To reduce the risk of fire,  
electric shock, or injury:**

- Use indoors only.
- Risk of explosion - Floor sanding can result in an explosive mixture of fine dust and air. Use floor sanding machine only in well ventilated area.
- Do not allow to be used as a toy. Close attention is necessary when used by or near children.
- Do not leave appliance unattended when plugged in. Unplug from outlet when not in use and before servicing.
- Use only as described in this manual. Use only manufacturer's recommended attachments.
- Do not use with a damaged cord or plug. If appliance is not working as it should, has been dropped, damaged, left outdoors, or dropped into water, return it to a service center or call customer service at:  
US: 1-800-989-3535 Canada: 1-888-676-7325  
Commercial: 1-800-242-1378
- Do not pull or carry by cord, use cord as a handle, close door on cord, or pull cord around sharp edges or corners. Keep cord away from heated surfaces.
- Do not run cleaner over cord.
- Do not use on stairs.
- Connect to a properly grounded outlet only. See grounding instructions.
- Unplug before installing or removing pads/cleaning brushes.
- Warning - To reduce the risk of fire, use only commercially available floor cleaners and waxes intended for machine application.
- Do not unplug by pulling on cord. To unplug, grasp the plug, not the cord.
- Do not handle plug or cleaner with wet hands.
- Do not put any object into openings. Do not use with any opening blocked; keep free of dust, lint, hair and anything that may reduce air flow.
- Keep hair, loose clothing, fingers and all parts of body away from openings and moving parts.
- Turn off all controls before unplugging.
- Do not use appliance in an enclosed space where flammable, explosive or toxic vapors are given off by oil base paint, paint thinner, some mothproofing substances, or in an area where flammable dust is present.

## CAUTION

This appliance must be connected to a grounded metal, permanent wiring system; or an equipment-grounding conductor must be run with the circuit conductors and connected to the equipment-grounding terminal or lead on the appliance.

**ALWAYS UNPLUG THE MACHINE BEFORE  
INSTALLING OR REMOVING ACCESSORIES.  
ALWAYS WEAR SHOES WHEN USING  
ELECTRICAL EQUIPMENT.**

**SAVE THESE INSTRUCTIONS**

### Grounding Information

#### ▲ CAUTION ▲

This appliance must be grounded. If it should malfunction or break down, grounding provides a path of least resistance for electrical current to reduce the risk of electric shock. This appliance is equipped with a cord having an equipment-grounding conductor and grounding plug. The plug must be inserted into an appropriate outlet that is properly installed and grounded in accordance with all local codes and ordinances.

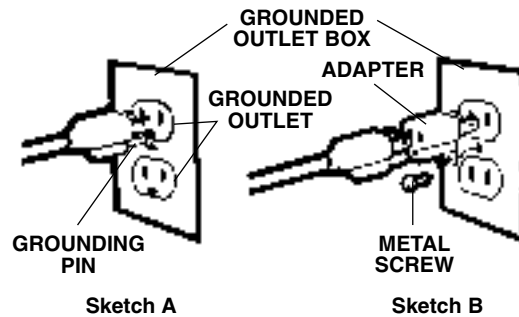
#### ▲ WARNING ▲

Improper connection of the equipment-grounding conductor can result in a risk of electric shock. Check with a qualified electrician or service person if you are in doubt as to whether the outlet is properly grounded. Do not modify the plug provided with the appliance - if it will not fit the outlet, have a proper outlet installed by a qualified electrician.

This appliance is for use on a nominal 120-volt circuit, and has a grounded plug that looks like the plug illustrated in Sketch A (see next column). A temporary adapter that looks like the adapter illustrated in Sketch B (see next column) may be used to connect this plug to a 2-pole receptacle, if a properly grounded outlet is not available. The temporary adapter should be used only until a properly grounded outlet can be installed by a qualified electrician. The green colored rigid ear, lug, or the like extending from the adapter must be connected to a permanent ground such as a properly grounded outlet box cover. Whenever the adapter is used, it must be held in place by a metal screw.

NOTE: In Canada, the use of a temporary adapter is not permitted by the Canadian Electrical Code.

### Grounding Methods



**Orbiter® Model 400, 600 & 700 is  
intended for Household Use.**

**Orbiter® Model 550 is intended for  
Commercial Use.**

### Warranty

Oreck Corporation (Oreck) gives you the following limited warranty for this product only if it was originally purchased for use, not resale, from Oreck or an ORECK AUTHORIZED Dealer.

Oreck will repair or replace, free of charge, to the original purchaser, any part, which is found to be defective in material or workmanship within one (1) year of the date of purchase for all models. **Note:** The 550 series Floor Machine is intended for commercial use. Any commercial use voids of the 400, 600 or 700 series voids the warranty.

Components returned prepaid to an Oreck Factory Authorized Service Center or to Oreck will be repaired or replaced free of cost at the option of Oreck and/or its service center when upon examination by either of them, such components are found to be defective.

Brushes, pads, drive blocks and other parts are subject to normal wear and are not covered by this limited warranty. This limited warranty does not apply to any part subjected to accident, abuse, alteration, misuse, damage caused by fire or act of God, the use of voltages other than indicated on the serial number plate of this product, or service of this product by other than Oreck or an Oreck Factory Authorized Service Center.

Oreck does not authorize any person or representative to assume or grant any other warranty obligation in connection with the sale of this product.

Oreck's limited warranty is valid only if you retain proof of purchase from Oreck or an Oreck authorized retail dealer of this product. If you purchase this product from any other source, your purchase is "AS IS", which means that Oreck grants to you no warranty and that you, not Oreck, assume the entire risk of the quality and performance of this product, including the entire cost of any necessary servicing or repairs of any defects.

Oreck's liability for damages to you for any cost whatsoever, arising out of this statement of limited warranty shall be limited to the amount paid for this product at the time of original purchase, and Oreck shall not be liable for any direct, indirect, consequential or incidental damages arising out of the use or inability to use this product.

Some jurisdictions do not allow the exclusion or limitation of incidental or consequential damages, so the above limitation or exclusion may not apply to you.

ALL EXPRESS AND IMPLIED WARRANTIES FOR THIS PRODUCT, INCLUDING IMPLIED WARRANTIES OF MERCHANTABILITY AND FITNESS FOR A PARTICULAR PURPOSE, ARE LIMITED IN DURATION TO THE WARRANTY PERIOD, AND NO WARRANTIES, WHETHER EXPRESS OR IMPLIED, WILL APPLY AFTER THIS PERIOD.

Some jurisdictions do not allow limitations on the duration of implied warranties so the above limitation may not apply to you.

This warranty gives you specific legal rights and you may have other rights which vary from jurisdiction to jurisdiction.

### **Customer Service**

Your ORECK floor cleaner is a product of precise engineering. If you require additional information or have problems with your ORECK appliance, you may call ORECK customer service at:

**USA: 1-800-989-3535**

**Canada: 1-888-676-7325**

**Commercial: 1-800-242-1378**

Please specify the model number and serial/code number which can be found on the data plate on the side of the Orbiter® Multi-Floor Machine.

Save your sales or purchase slip. Should your ORECK appliance require warranty service in the U.S.A., present this slip to the Authorized Service Center as your proof of purchase date or, in Canada, call customer service.

## Introduction

The Orbiter® Multi-Floor Machine is the most advanced, easiest to use machine of its kind. With proper care and use, your Orbiter® Multi-Floor Machine will last a lifetime. This booklet will tell you how to care for the Orbiter® Multi-Floor Machine and all about its features, accessories and their uses.

**CAUTION:** NEVER SERVICE THE MACHINE WHILE IT IS PLUGGED IN - ALWAYS DISCONNECT it from the electrical outlet. When leaving machine unattended, be sure to disconnect it. For more information see the "Maintenance and Troubleshooting" section.

## Getting Started

Your Orbiter® Multi-Floor Machine comes completely assembled and ready to operate once the proper accessories are attached. The off/on switch has international symbols (O) OFF and (I) ON.

### **Attaching Accessories**

The Orbiter® Multi-Floor Machine can be used on almost any surface with the right accessories. A complete list and description of the available accessories is included on page 10 under "Accessories".

#### **To attach a pad, bonnet, or sand screen:**

1. Lay the Orbiter® Multi-Floor Machine on its back with the handle lying on the floor.
2. Attach the pad or bonnet to the black drive pad holder using the teeth of the black drive pad holder. If attaching a sand screen, first attach the pad to the black drive pad holder. Then place the sand screen on the floor-side of the pad.
3. Place the black drive pad holder on the beige holder pan found on the bottom of the Orbiter® Multi-Floor Machine (See Figure 1, next page).
4. Set the Orbiter® Multi-Floor Machine upright with the pad, bonnet, or sand screen sitting on the floor.

#### **To attach a brush:**

1. Lay the Orbiter® Multi-Floor Machine on its back with the handle lying on the floor.
2. With the bristles pointed away from the unit, place the brush on the beige holder pan found on the bottom of the Orbiter® Multi-Floor Machine (See Figure 1, next page).
3. Set the Orbiter® Multi-Floor Machine upright with the brush sitting on the floor.

**CAUTION:** NEVER put the brush or black drive pad holder on the machine by placing it on the floor and moving the running machine over it, or by placing the machine over the brush or black drive pad holder and then starting the motor.

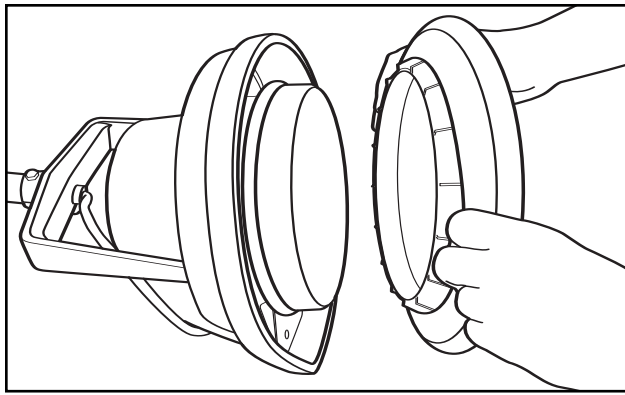


Figure 1. Attaching Black Drive Pad Holder or Brush

**CAUTION:** Oreck recommends removing brushes and pads when storing the Orbiter® Multi-Floor Machine. Accessories (especially brushes) can become deformed if stored on the machine.

### Removing Accessories

Lay the Orbiter® Multi-Floor Machine on its back and pull the brush or the black drive pad holder off the beige holder pan.

**CAUTION:** Oreck recommends removing brushes and pads when storing the Orbiter® Multi-Floor Machine. Accessories (especially brushes) can become deformed if stored on the machine.

### Turning Floor Machine On and Off

The on-off switch is located on the back side of the motor housing (**400**) or on the handle (**550, 600, 700**). It has been designed to be conveniently activated. On (I) - Off (O) is printed on the switch. (See Figure 2.) BE CAREFUL that the switch is in the OFF (O) position before you plug the electrical cord into the outlet. Before turning the machine on, be sure there is a bonnet pad or brush in place on the machine.

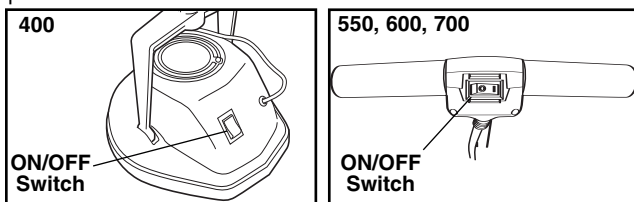


Figure 2. Orbiter® Multi-Floor Machine On/Off switch

### To Guide the Floor Machine

Grasp the unique "T" handle and glide the machine across the floor in a side to side motion. The patented "T" handle feature gives you complete control. The Orbiter's perfectly balanced counter-weight system gives smooth and easy action with fingertip control.

**CAUTION: IMPORTANT - Always wear shoes when using your Orbiter® Multi-Floor Machine. Before completing any of the following procedures for the first time, test a small hidden area to ensure color-fastness of the material and that the accessory used is not too aggressive for the surface.**

## Carpet and Area Rug Applications

### Dry Carpet Cleaning

#### (For deep cleaning carpet and rugs)

The Oreck Dry Carpet Cleaning System® is the easiest and most effective way to keep your carpet and rugs looking clean and beautiful. It effectively removes dirt and grime that vacuums cannot. Unlike many carpet extractors, steam cleaners or steam cleaning services, it will not leave a soapy or sticky residue on your carpet that will attract dirt and cause rapid resoiling. It is safe for use in homes with children and pets.

#### Equipment and Material Required:

- Orbiter® Multi-Floor Machine
- Black Drive Pad Holder
- White Terrycloth Bonnet (for berber or low-pile carpets) or Black Carpet Brush (for medium- or high-pile carpets)
- Oreck Premist® Soil Release Pre-Spray
- Oreck Dry Carpet Cleaner

#### Procedure:

1. Spray Premist® Soil Release Pre-Spray on the carpet in a 6 ft by 6 ft area.
2. Sprinkle Dry Carpet Cleaner over the treated area (do not over use).
3. Work the Dry Carpet Cleaner into the carpet with the Orbiter® Multi-Floor Machine and the white terrycloth bonnet (for berber or low-pile carpets) or black carpet brush (for medium- or high-pile carpets).
4. Repeat steps 1 through 3 until the whole carpet has been treated. The carpet can be walked on during or immediately after the treatment with no ill effects.
5. When the white terrycloth bonnet becomes soiled, turn it over. When the job is complete, clean the white terrycloth bonnet in the washing machine using cold water or hose off and allow to air dry.
6. After waiting at least 30 minutes, vacuum the treated areas with an Oreck vacuum cleaner.

See Dry Carpet Cleaner packaging for complete instructions.

### Bonnet Cleaning

#### (For surface cleaning carpet and rugs)

This procedure can be used on most types of carpets (follow manufacturer's recommendations for handmade, silk and oriental rugs or carpets).

#### Equipment and Material Required:

- Orbiter® Multi-Floor Machine
- Black Drive Pad Holder
- White Terrycloth Bonnet
- Oreck Premist® Soil Release Pre-Spray

#### Procedure:

1. Lightly spray Premist® Soil Release Pre-Spray over the soiled area in the carpet or high traffic area.

2. Use the Orbiter® Multi-Floor Machine and the white terrycloth bonnet to lift dirt from the treated area. Work terrycloth bonnet over the treated area.
3. Turn terrycloth bonnet over when soiled and continue to clean carpet.
4. When the job is complete, clean the white terrycloth bonnet in the washing machine using cold water or hose off and allow to air dry.

## Laminate, Vinyl and Linoleum Floor Applications

### Surface Cleaning

Timberworks® Floor Cleaner restores the natural beauty of all your hard flooring (**not for use on stone, tile, or waxed floors**). It safely and effectively removes the dirt, scuffs and grime from your floors to reveal their original and beautiful luster.

#### Equipment and Material Required:

- Orbiter® Multi-Floor Machine
- Black Drive Pad Holder
- White Terrycloth Bonnet
- Timberworks® Floor Cleaner
- White Polish Pad (optional)

#### Procedure:

To clean hard flooring, including polyurethane-coated wood, laminate, vinyl and linoleum floors, use the Timberworks® Floor Cleaner and the Orbiter® Multi-Floor Machine with the white terrycloth bonnet.

1. Lightly mist a 6 ft by 6 ft area with Timberworks® Floor Cleaner (a little goes a long way).
2. Clean the treated area with the Orbiter® Multi-Floor Machine and the white terrycloth bonnet.
3. Floors should shine with a beautiful luster. Timberworks® Floor Cleaner will not leave a residue; any streaking or clouding may be the result of a build-up of other floor cleaners. If necessary, repeat procedure until floor shines.
4. If desired, vinyl and laminate flooring can be polished to a higher luster using the white polish pad after cleaning.

See Timberworks® bottle for complete instructions.

### Scrubbing

This procedure can be used on hard floor surfaces, **EXCEPT WOOD FLOORS**.

#### Equipment and Material Required:

- Orbiter® Multi-Floor Machine
- Black Drive Pad Holder
- Brown Strip Pad or Blue Scrub Pad depending on floor surface
- Orange Scrub Brush
- Vacuum, Broom or Dust Mop
- Cleaning Solution
- Interior Circle (Donut Hole) from Brown Strip Pad or Blue Scrub Pad

- Mops - 2 (1 to apply/pick up Cleaning Solution and 1 to rinse floor)
- Bucket and wringer
- Wet-Dry Vacuum (optional)

#### Procedure:

1. Vacuum or sweep floor area to be cleaned with broom or dust mop.
2. Mix cleaning solution according to manufacturer's instructions on container label.
3. Apply cleaning solution in a 6 ft by 6 ft area.
4. Let solution stand for 5 minutes, scrub floor with Orbiter® Multi-Floor Machine and brown strip pad or blue scrub pad.
5. Use orange scrub brush on floors with cracks, crevices, and grout.
6. Use interior circle (donut hole) from the brown strip pad or blue scrub pad to clean in corners and around door jambs by hand.
7. Pick up dirty solution with mop or wet-dry vacuum. **DO NOT ALLOW CLEANING SOLUTION TO DRY ON FLOOR.**
8. Repeat Steps 3-6 until all floor area is cleaned.
9. Mop or use Orbiter® Multi-Floor Machine with the white terrycloth bonnet and clean water to rinse the floor area.

#### Precautions:

1. Do not flood the floor area with cleaning solution or allow solution to dry before pick-up.
2. Use clean mop for final rinse.
3. Change rinse water frequently.
4. Use damp cloth to wipe off any splashes on walls or furniture.

### Stripping

This procedure can be used on most types of hard floor surfaces, **EXCEPT WOOD & STONE FLOORS**, to remove buffable floor wax or coatings.

#### Equipment and Material Required:

- Orbiter® Multi-Floor Machine
- Black Drive Pad Holder
- Brown Strip Pad
- Vacuum, Broom or Dust Mop
- Wax Remover or Stripping Solution
- Interior Circle (Donut Hole) from Brown Strip Pad
- Mops - 2 (1 to apply/pick up Cleaning Solution and 1 to rinse floor)
- Bucket and Wringer
- Wet-Dry Vacuum for dirty and rinse water pick-up (optional)

#### Procedure:

1. Vacuum or sweep floor area to be stripped with broom or dust mop.
2. Mix stripping solution according to manufacturer's instructions on container label.



3. Dip mop in stripping solution and apply to floor in a 6 ft by 6 ft area. Apply along baseboard edges first or where there is a wax or dirt build-up.
4. Let solution stand for 5 minutes, scrub floor with Orbiter® Multi-Floor Machine and the brown strip pad. Use interior circle (donut hole) from the brown strip pad to reach in corners and around door jambs.
5. To pick up dirty solution, use a mop or wet-dry vacuum. **DO NOT ALLOW STRIPPING SOLUTION TO DRY ON FLOOR.**
6. Repeat steps 3-5 until the entire floor is completely stripped.
7. Rinse area TWICE with clean water and clean mop. Pick up water with mop or wet-dry vacuum.
8. Allow floor to dry before applying new floor finish.

**Precautions:**

1. Do not flood the floor with stripping solution or allow solution to dry before pick-up.
2. Use clean mop for final rinse.
3. Change rinse water frequently.
4. Use damp cloth to wipe off any splashes on walls or furniture.

**Refinishing**

---

This procedure can be used on most types of hard floor surfaces, **EXCEPT WOOD & STONE FLOORS.**

**Equipment and Material Required:**

- Orbiter® Multi-Floor Machine
- Black Drive Pad Holder
- White Polish Pad or Lamb's Wool Bonnet
- Floor finish liquid
- Clean string mop, 16-20 oz. size
- Bucket and wringer
- Disposable plastic bag

**Procedure:**

1. Place disposable bag inside of bucket with wringer. This will protect floor finish from being contaminated and chemical residue remaining in bucket.
2. Pour quart size container of floor finish into the disposable bag. Amount of floor finish depends on size of floor area to be covered and number of coats to be applied.
3. **ONLY** dip the mop tip into the floor finish and wring out lightly. Avoid dripping floor finish or splashing on walls.
4. Apply floor finish in thin even coats. Apply **FIRST COAT** of floor finish along baseboard edges and cover remaining floor area in an left-right direction.

**HINT:** Only the first coat of floor finish needs to be applied to baseboard edges.

5. Allow floor finish to dry for 20 minutes before applying a second coat.
6. Apply the second coat of floor finish 1 tile width from baseboard. Application should be in a crossing direction to the preceding coat.

7. Additional coats (3 and 4) of floor finish should be applied to achieve the level of appearance desired. Four coats of floor finish will provide extra protection to the floor surface.
8. Allow 24 hours for floor finish to harden before buffing.
9. Buff floor to higher shine using Orbiter® Multi-Floor Machine and white polish pad or lamb's wool bonnet.

**Precautions:**

1. When using **NEW** mops to apply floor finish, make sure to rinse mop first. Foreign chemicals will affect the floor finish.
2. Completely submerging mop head into the floor finish is a waste of product.
3. Turn mop over frequently for even distribution of floor finish.
4. Do not allow mop to become dry; this will cause streaking.
5. Apply floor finish in thin even coats.
6. Do **NOT** pour floor finish directly on the floor and attempt to spread evenly. This will cause dark spots and delay drying time.

**Sealed Hard Wood Floor Applications**

**Surface Cleaning Sealed Floors**

---

This procedure is for polyurethane-sealed hard wood floors, not waxed hard wood floors.

Timberworks® Floor Cleaner restores the natural beauty of all your hard flooring (**not for use on stone, tile, or waxed floors**). It safely and effectively removes the dirt, scuffs and grime from your floors to reveal their original and beautiful luster.

**Equipment and Material Required:**

- Orbiter® Multi-Floor Machine
- Black Drive Pad Holder
- White Terrycloth Bonnet
- Timberworks® Floor Cleaner
- White Polish Pad (optional)

**Procedure:**

To clean hard flooring, including polyurethane-coated wood, laminate, vinyl and linoleum floors, use the Timberworks® Floor Cleaner and the Orbiter® Multi-Floor Machine with the white terrycloth bonnet. Vinyl and laminate flooring can be polished to a higher luster using the white polish pad after cleaning.

1. Lightly mist a 6 ft by 6 ft area with Timberworks® Floor Cleaner (a little goes a long way).
2. Clean the treated area with the Orbiter® Multi-Floor Machine and the white terrycloth bonnet.

- Floors should shine with a beautiful luster. Timberworks® Floor Cleaner will not leave a residue; any streaking or clouding may be the result of a build-up of other floor cleaners. If necessary, repeat procedure until floor shines.

See Timberworks® bottle for complete instructions.

## **Sandscreening**

### **(Wood Floors)**

Sandscreening is ideal for refinishing the polyurethane coating on hard wood floors. The procedure is not designed to totally remove the old polyurethane, but smooth out imperfections and prime the floor for a new fresh coating. However, polyurethane coatings are generally very durable and look good for a long time - try a thorough cleaning before refinishing the polyurethane coating to see if the luster can be restored.

#### **Equipment and Material Required:**

- Orbiter® Multi-Floor Machine
- Black Drive Pad Holder
- Brown Strip Pad
- Sand Screen 60 grit
- Sand Screen 80 grit
- Sand Screen 100 grit
- Broom or Dust Mop
- Vacuum Cleaner
- Tack Rags

#### **Procedure:**

- Use Orbiter® Multi-Floor Machine and the brown strip pad.
- Place #60 grit sand screen disc under brown strip pad. Sand the floor. Remove residue by vacuuming or sweeping the floor in the same direction as the boards.
- Place a #80 sand screen disc under the brown strip pad. Sand the floor.
- Sweep and vacuum the floor, then tack rag THOROUGHLY.
- Apply finish according to manufacturer's recommendations.
- Burnish between coats with #100 grit sand screen disc and tack rag.

## **Waxed Hard Wood Floor Applications**

### **Surface Cleaning and Waxing Waxed Hard Wood Floors**

This procedure should be used on WAX FINISH floors only.

#### **Equipment and Material Required:**

- Orbiter® Multi-Floor Machine
- Black Drive Pad Holder
- Lamb's Wool Bonnet
- Tan Polish Brush (Union Mix)
- White Polish Pad (optional)
- Paste Wax, 1 lb.
- Indian Sand Paste Wax

- Dust Mop
- Buffable Wax

#### **Procedure:**

- Completely dust mop floor.
- Wipe up spills with a dry cloth or paper towel. Use a slightly damp cloth for sticky spills. Hint: Buff with white polish pad to restore luster.
- To apply paste wax: Attach black drive pad holder to Orbiter® Multi-Floor Machine. Apply a tablespoon of paste wax on 4 sections of white polish pad. Place white polish pad on floor and center black drive pad holder onto pad. Work Orbiter® Multi-Floor Machine in a forward/back motion and spread out the paste wax to a thin coat. Allow paste wax to dry for 5 minutes. Turn white polish pad over to clean side and buff. Use tan polish brush or lamb's wool bonnet to obtain a higher luster.

#### **Helpful Hints:**

- When floor looks dull, try buffing first to see if that will restore the luster before re-waxing.
- When areas of heavy use no longer respond to buffing, wax only those areas and buff all of the floor to an even luster.
- Use clear paste wax to retain the floor's natural color. Use Indian Sand Paste Wax to add a little color and help blend in blemishes on old floors.

## **Tile Floor Applications**

### **Deep Cleaning**

#### **Equipment and Material Required:**

- Orbiter® Multi-Floor Machine
- Black Drive Pad Holder
- Orange Scrub Brush or Black Carpet Brush
- White Terrycloth Bonnet
- Grunge Attack® Tile Floor Cleaner

#### **Procedure:**

Grunge Attack® Tile Floor Cleaner lifts dirt, grime and grease from tile floors and grout, leaving sparkling results.

- Dilute Grunge Attack® Tile Floor Cleaner into a separate spray bottle according to the instructions on the bottle.
- Lightly spray a 6 ft by 6 ft area with diluted Grunge Attack® Tile Floor Cleaner.
- Clean with the Orbiter® Multi-Floor Machine and an orange scrub brush for ceramic tile floors or concrete. Use Orbiter® Multi-Floor Machine and the black carpet brush for delicate or glazed ceramic or porcelain tile floors.
- Repeat steps 1 through 3 until the whole floor has been cleaned.
- Go back over the cleaned floor with the Orbiter® Multi-Floor Machine and white terrycloth bonnet to remove all dirt lifted by the orange scrub brush. Wet floor as necessary with water or diluted Grunge Attack® Tile Floor Cleaner.

See Grunge Attack® Tile Floor Cleaner bottle for complete instructions.



## Light Cleaning

### Equipment and Material Required:

- Orbiter® Multi-Floor Machine
- White Terrycloth Bonnet
- Grunge Attack® Tile Floor Cleaner

### Procedure:

Grunge Attack® Tile Floor Cleaner lifts dirt, grime and grease from tile floors and grout, leaving sparkling results.

1. Dilute Grunge Attack® Tile Floor Cleaner according to the instructions on the bottle.
2. Lightly spray a 6 ft by 6 ft area with Grunge Attack® Tile Floor Cleaner.
3. Clean with the Orbiter® Multi-Floor Machine and white terrycloth bonnet. This bonnet is designed to lift and remove dirt from hard surfaces.

See Grunge Attack® Cleaner bottle for complete instructions.

## Stone Floor Applications

### Deep Cleaning

For cleaning all types of stone floors, including marble, granite, slate and other stone floors.

### Equipment and Material Required:

- Orbiter® Multi-Floor Machine
- Tan Polish Brush (Union Mix)
- Stone Clear Bottom® Stone Floor Cleaner
- Vacuum, Broom or Dust Mop
- Mop and Bucket

### Procedure:

Stone Clear Bottom® Stone Floor Cleaner is a pH neutral balanced daily cleaner designed to safely clean all stone surfaces without damaging the stone's natural crystalline surface.

1. Clean the floor with vacuum, broom or dust mop to ensure that all grit is removed.
2. Dilute Stone Clear Bottom® Stone Floor Cleaner according to the instructions on the bottle.
3. To clean stone floors and grout, use the Orbiter® Multi-Floor Machine and the tan polish brush (union mix).
4. To remove dirt and grime lifted by the brush, mop floors with clean water or with Stone Clear Bottom® Cleaning Solution.

See Stone Clear Bottom® bottle for complete instructions.

## Marble Restoration

Michaelangelo's Marble Restorer® polishing cream is a unique blend of microabrasives that safely restores the stone's natural crystalline structure to rejuvenate the shine the marble once had. It will safely and effectively revive dull marble surfaces, light surface scratches, abrasions, etch marks, shower wall streaks, water marks, and glass rings.

### Equipment and Material Required:

- Orbiter® Multi-Floor Machine
- Black Drive Pad Holder
- Beige Marble Pad
- White Polish Pad
- Stone Clear Bottom® Stone Floor Cleaner
- Lamb's Wool Bonnet (optional)
- Michaelangelo's Marble Restorer® Polishing Cream
- Vacuum, Dust Mop or Broom
- Mop & Bucket
- Squeegee

### Procedure:

1. Clean the floor with vacuum, broom or dust mop to ensure that all grit has been removed. All topical coatings need to be removed.
2. Spray water on the floor and then apply a dab (2 in diameter) per 16 sq ft of surface of Michaelangelo's Marble Restorer® polishing cream. Using Orbiter® Multi-Floor Machine and beige marble pad, begin buffing the area. Buff for five or more passes, keeping the product in a wet slurry. Do not let the product dry on the floor, and spray additional water if necessary.
3. Check results by moving the slurry with a squeegee. Reapply or continue to buff if necessary. Remove slurry with squeegee, wet/dry vacuum or clean mop.
4. Immediately mop the floor with a mix of 2 oz of Stone Clear Bottom® Stone Floor Cleaner and 1 gallon of water, making sure all of the Michaelangelo's Marble Restorer® has been removed from the floor.
5. Let the floor dry completely. Buff the floor with an Orbiter® Multi-Floor Machine and a white polish pad.

See Michaelangelo's Marble Restorer® bottle for complete instructions.

## Concrete and Asphalt Applications

### Removing Oil and Dirt

Greaselock® Absorbent Powder effectively and safely cleans concrete and asphalt without solvents. Greaselock® application is a natural mineral that absorbs and captures oil and dirt so it can be safely discarded or rinsed away.

#### Equipment and Material Required:

- Orbiter® Multi-Floor Machine
- Black Drive Pad Holder
- Greaselock® Absorbent Powder
- Brown Strip Pad
- Orange Scrub Brush

#### Procedure:

To clean oil, dirt, mold and mildew from smooth concrete, use the Greaselock® Absorbent Powder and the brown strip pad. To clean rough or uneven concrete or asphalt, use Greaselock® Absorbent Powder and the orange scrub brush.

1. For fresh stains or spills that have not dried, use the Greaselock® Absorbent Powder as a dry powder. For dry stains, add a little water during mixing or scrubbing stage.
2. Liberally apply Greaselock® Absorbent Powder to spill or area to clean, completely covering it. Allow five to ten minutes to absorb for fresh stains, overnight for dried stains.
3. Use the Orbiter® Multi-Floor Machine and brown strip pad or orange scrub brush to agitate the powder on the floor. Mop or hose off floor if necessary.

See Greaselock® Absorbent Powder packaging for complete instructions.

## Accessories

Oreck offers a full line of accessories to give you the tools you need for the job!

Depending on the unit purchased, some of the accessories below may be included with your Orbiter® Multi-Floor Machine. All of these accessories are available at one of our over 450 Oreck retail Stores or on our website, [www.oreck.com](http://www.oreck.com).

When choosing different pads and brushes for the Orbiter®, there is no exact science to selecting an accessory for a particular floor. Bonnets are good for surface cleaning most floor types. Pads are good for scrubbing and polishing flat surfaces. Brushes work well for getting into recesses in non-flat surfaces, like tile, where the bristles can get into grout lines. When you choose an accessory, remember you want one aggressive enough to do the job but gentle enough not to damage the floor. Use common sense. For example, do not use a brown strip pad (aggressive) on a wood floor (soft floor). Start with what is safe and move to a more aggressive accessory, if needed.

**Note:** Oreck recommends removing brushes and pads when storing the Orbiter® Multi-Floor Machine. Accessories can become deformed if stored on the machine.

### General

#### Black Drive Pad Holder 53178-51-0327

(Black plastic with teeth)

- Holds pads and bonnets in place



### Bonnets

Bonnets are designed to surface clean most surfaces. They are washable and can be reused.



#### White Terrycloth Bonnet 437053

- This bonnet cleans the traffic lane and spots in the carpet without wetting the entire carpet.
- Use with Oreck Premist® Soil Release Pre-Spray and Dry Carpet Cleaner.
- When one side of bonnet is dirty, flip it over and use the other side.
- When job is complete, clean terrycloth bonnet in washing machine using cold water or hose off and allow to air dry.

#### Lamb's Wool Bonnet

**437054**

- Designed to provide the best possible shine on wood, tile and vinyl floors.
- Use the bonnet for everyday buffing to remove scuff marks.
- When job is complete, clean lambs wool bonnet in washing machine using cold water or hose off and allow to air dry.

To use a bonnet, see "Attaching Accessories" on page 4 and "Removing Accessories" on page 5

### Pads

Pads are designed to be porous and open-weave (except the beige pad) so that when it loosens dirt it can pick it up. The dirt goes inside the pad (i.e. off the floor). All pads can be turned over and the other side used before cleaning or disposing. Pads may be hosed off in some instances and re-used.



The pads are color coded depending on how aggressive they are (except for the beige marble pad): White is the softest, followed by blue medium aggressive, and brown being the most aggressive.

#### White Polish Pad

**437051**

(least aggressive)

- Apply paste wax.
- Clean and polish wood (coated & uncoated), linoleum, and laminate.
- Cleans all surfaces except stone.

**Blue Scrub Pad 437057**

- (medium aggressive)
- Used for scrubbing.
  - Cleans tile and concrete.

**Brown Strip Pad 437049**

- (most aggressive)
- Strips linoleum, vinyl, laminate and tile floors.
  - Cleans and scrubs tile and grout.
  - Can be used on commercial vinyl.
  - Use on smooth concrete.
  - Use with Sand Screens.
  - Scrubs and cleans wood decks.

**Beige Marble Pad 437058**

- (marble only)
- For restoring and cleaning marble floors.

To use a floor pad, see "Attaching Accessories" on page 4 and "Removing Accessories" on page 5.

**Brushes**

Brushes are designed to get into grooves and recesses on non-flat surfaces. Brushes lift and remove ground-in dirt and grime.

Brushes are coded depending on how aggressive they are with the black carpet brush being the least aggressive, followed by the tan polish brush (union mix) and the orange scrub brush the most aggressive.



**Black Carpet Brush 237049**

- (least aggressive)
- Use with Oreck Dry Shampoo.
  - Safe, soft action needed for carpet cleaning.
  - Use on textured linoleum.
  - Use for cleaning delicate or glazed ceramic or porcelain tile.

**Tan Polish Brush (Union Mix) 237048**

- (medium aggressive)
- Use to polish wood floors.
  - Will "blend" in excess floor wax, maintain an even coat of wax and eliminate wax build-up.
  - Use for getting inside cracks of a wood floor.
  - Use to polish waxed wood floors.
  - Use for marble, stone, and delicate tile floors

**Orange Scrub Brush 237047**

- (most aggressive)
- Used to clean ceramic tile or concrete and many tough stains.

To use a brush, see "Attaching Accessories" on page 4 and "Removing Accessories" on page 5.

**Sand Screens**

Sand screens offer the very best in floor sanding. For all sand screens, place the black drive pad holder on Orbiter® Multi-Floor Machine. Then place the sand screen under any floor pad on floor and center Orbiter® Multi-Floor Machine onto the pad.



- 60 grit**
- 80 grit**
- 100 grit**

- SS12060**
- SS12080**
- SS12100**

For Questions or Information about Oreck's Line of Cleaning Products, Please Call or Visit Your Local Oreck Dealer.

**RESIDENTIAL**  
**USA: 1-800-989-3535**  
**Canada: 1-888-676-7325**  
**www.oreck.com**

**COMMERCIAL**  
**Commercial: 1-800-242-1378**  
**www.oreckcommercial.com**

**Maintenance & Troubleshooting**

**Care of Your Oreck® Multi-Floor Machine**

This is a precision machine. Dropping, unreasonable bumping or rough handling may result in damage to the balanced counter-weight system. Wrap your cord loosely around the two hooks on the handle. Remove brushes after use. The bristles may be damaged due to the weight of the machine. Store your machine in the upright position. After each use, remove wax or cleaning solutions from the unit. After sanding, blow sawdust off motor. Clean housing and bumper with damp cloth after each use. A little care will keep your Orbiter® looking like new.

**User Maintenance**

The Orbiter® motor bearings are factory lubricated and sealed. All other servicing should be performed by an authorized service center. There are no user serviceable parts inside.

**Troubleshooting Guide**



**WARNING: Unplug cord from electrical outlet before servicing.**

PROBLEM	POSSIBLE SOURCE	AREAS TO CHECK
<b>Floor Machine will not run</b>	Not plugged in properly.	Be sure cleaner is firmly plugged into wall outlet.
	No electricity in wall outlet.	Check electrical source—fuse or circuit breaker.
	Blown fuse/ tripped breaker	Replace fuse/ Reset breaker
	Motor circuit breaker has tripped.	Turn switch off and unplug cleaner. Check motor shaft for binding. Allow 30 minutes for motor to cool and system to reset. If unit is equipped with a red reset button, press it.
<b>Floor Machine bounces</b>	Brush or pad holder not properly in place.	Place it properly. (See operating instructions.)
	Using brush on dry surface without dry shampoo or wet shampoo.	Apply necessary shampoo dry or wet.
	Using black carpet brush on berber or low-pile carpet.	Use white terrycloth bonnet instead.

Whenever calling, please be sure to have your model and serial number from data plate.

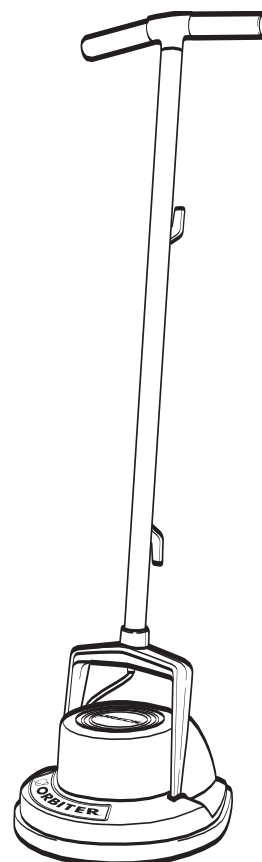
**ALL OTHER SERVICING SHOULD BE DONE BY AN ORECK AUTHORIZED SERVICE CENTER.**

**CALL CUSTOMER SERVICE HOT LINE**  
**USA: 1-800-989-3535**  
**CANADA: 1-888-676-7325**  
**COMMERCIAL: 1-800-242-1378**

**ORECK® XL**

**SIMPLY AMAZING®**

**GUIDE D'UTILISATION**  
**F R A N Ç A I S**



**ORBITER®**  
**MACHINE MULTI-SOLS**

**RORB400 / RORB550 / RORB600 / RORB700**

**SÉRIES**

**• IMPORTANTE •**  
**CONSERVEZ CE FASCICULE**

**Comprend:**  
 Avertissements de sécurité  
 Garantie  
 Mode d'emploi  
 Guide de dépannage  
 Accessoires

**Avant d'utiliser  
l'aspirateur, lire  
attentivement toutes les  
instructions de ce manuel.**

## Table des matières

<b>INFORMATIONS GÉNÉRAL ES ET DE SÉCURITÉ</b>	13
Importantes instructions de sécurité	13
Informations de mise à la terre	14
Garantie	14
Service à la clientèle	15
<b>INTRODUCTION</b>	15
<b>POUR COMMENCER</b>	15
Fixation des accessoires	15
Démontage des accessoires	16
Mise en marche/arrêt de la machine pour sols	16
Guidage de la machine pour sols	16
<b>APPLICATIONS SUR MOQUETTES ET TAPIS</b>	16
Nettoyage à sec de moquette	16
Nettoyage à la bonnette	17
<b>APPLICATIONS SUR SOLS LAMINÉS, VINYLE ET LINOLÉUM</b>	17
Nettoyage de surface	17
Récuration	17
Décapage	18
Restauration	18
<b>APPLICATIONS SUR SOLS EN BOIS DUR IMPRÉGNÉ</b>	19
Nettoyage de surface de parquet imprégné	19
Passage à la toile abrasive	19
<b>APPLICATIONS SUR SOLS EN BOIS DUR CIRÉ</b>	20
Nettoyage de surface et cirage de parquet ciré	20
<b>APPLICATIONS SUR SOLS CARRELÉS</b>	20
Nettoyage en profondeur	20
Nettoyage léger	20
<b>APPLICATIONS SUR SOLS EN PIERRE</b>	21
Nettoyage en profondeur	21
Restauration du marbre	21
<b>APPLICATIONS SUR BÉTON ET ASPHALTE</b>	21
Élimination de l'huile et de la saleté	21
<b>ACCESSOIRES</b>	22
Généraux	22
Bonnettes	22
Tampons	22
Brosses	23
Toiles abrasives	23
<b>ENTRETIEN ET DÉPANNAGE</b>	23
Soins de votre machine pour sols Oreck	23
Entretien par l'utilisateur	23
Guide de dépannage	24

## Informations General es et de Sécurité

### CONSIGNES DE SÉCURITÉ IMPORTANTES

Lorsque vous utilisez un appareil électromé-  
nager, vous devez toujours prendre certaines  
précautions de base, y compris les suivantes:

**Lire toutes les instructions avant  
d'utiliser cet aspirateur**



### AVERTISSEMENT

**Pour réduire les risques d'incendie,  
d'électrocution et de blessure:**

- Employez à l'intérieur seulement
- Risque d'explosion – Le ponçage de parquet peut créer un mélange explosif de sciure de bois et d'air. N'utiliser la ponceuse à parquet que dans un local bien ventilé.
- Ne doit pas servir de jouet. Une surveillance attentive est nécessaire lorsque l'appareil est utilisé par ou à proximité d'un enfant.
- Ne jamais laisser l'appareil branché sans surveillance. L'appareil doit être débranché après chaque utilisation et avant toute réparation.
- Utilisez uniquement selon les instructions figurant dans ce manuel. Utiliser uniquement les accessoires recommandés par le fabricant.
- Ne jamais utiliser si le cordon d'alimentation ou la fiche de connexion sont endommagés. Si l'appareil ne fonctionne pas normalement, s'il a été échappé, s'il a été endommagé, s'il a été laissé à l'extérieur ou s'il est tombé dans l'eau, il faut le retourner à un centre de service après-vente ou appelez le centre de service à la clientèle commerciale de la société ORECK au: US: 1-800-989-3535  
Canada: 1-888-676-7325  
Commercial: 1-800-242-1378
- Ne jamais tirer ou transporter l'appareil par le cordon d'alimentation, ni utiliser le cordon en guise de poignée, ni fermer une porte sur le cordon, ni tirer le cordon autour d'un coin à angle pointu. Garder le cordon à l'écart des surfaces chaudes.
- Ne pas faire avancer l'appareil sur le cordon.
- N'utilisez pas sur des escaliers.
- Ne connectez l'appareil qu'à une prise avec une prise de terre. Voir les instructions de mise à la terre.
- Débrancher avant d'installer ou enlever les tampons et brosses de nettoyage.
- Avertissement – Pour réduire les risques d'incendie, n'utiliser que des nettoyeurs et cires pour sol disponibles dans le commerce spéciaux pour application par machine.
- Ne jamais débrancher l'appareil en tirant sur le cordon. Pour débrancher, saisir la fiche et non le cordon.
- Ne jamais manipuler la fiche de connexion et l'appareil avec les mains humides.

- Ne jamais insérer d'objet dans les ouvertures. Ne pas utiliser si des ouvertures sont bloquées. Elles doivent être exemptes de poussière, de charpie, de cheveux et de toute autre substance pouvant réduire le débit d'air.
- Garder les cheveux, les vêtements amples, les doigts et toutes les parties du corps à bonne distance des ouvertures et des pièces mobiles.
- Avant de débrancher, arrêter toutes les commandes.
- Ne jamais utiliser l'appareil dans un espace clos où se dégage des vapeurs inflammables, explosives ou toxiques provenant d'une peinture à l'huile, d'un diluant à peinture, de substances antimites, ni dans un espace où il y a des poussières inflammables. présent.

## CONSERVER CES INSTRUCTIONS ATTENTION

Cet appareil doit être branché à un système de terre métallique établi en permanence ; ou un fil de mise à la terre de l'équipement doit être tiré avec les fils d'alimentation et branché sur la fiche de terre de l'appareil ou raccordé dessus.

**IL FAUT TOUJOURS DÉBRANCHER L'APPAREIL AVANT D'Y INSTALLER OU ENLEVER DES ACCESSOIRES. IL FAUT TOUJOURS PORTER DES CHAUSSURE EN UTILISANT UN APPAREILLAGE ÉLECTRIQUE.**

### Informations de mise à la terre

#### ▲ ATTENTION ▲

Cet appareil doit être mis à la terre. En cas de dysfonctionnement ou de panne, la terre fournit un cheminement de moindre résistance pour le courant électrique, afin de réduire le risque d'électrocution de l'opérateur. Cet appareil est équipé d'un cordon d'alimentation ayant un fil et une fiche de terre. La fiche doit être insérée dans une prise secteur convenablement installée et reliée à la terre, en conformité avec toutes les réglementations et normes applicables localement.

#### ▲ AVERTISSEMENT ▲

Un mauvais raccordement de la liaison de terre de l'appareillage peut entraîner un risque d'électrocution. Vérifier avec un électricien ou un dépanneur qualifié si vous avez un doute sur la bonne mise à la terre de la prise secteur. Ne pas modifier la fiche livrée avec l'appareil - si elle ne s'adaptait pas dans votre prise secteur, faire installer une prise convenable par un électricien qualifié.

Cet appareil fonctionne sur un circuit secteur de 120 volts, et comporte une fiche secteur avec terre comme illustré sur le schéma A ci-dessous. Un adaptateur temporaire qui ressemble à celui illustré sur le schéma B peut être utilisé pour relier cette fiche d'alimentation sur une prise secteur à 2 broches montrée sur ce schéma au cas où une prise secteur avec broche de terre ne serait pas disponible. N'utiliser cet adaptateur temporaire que jusqu'à ce qu'un électricien qualifié installe une prise correctement mise à la terre. La patte rigide colorée en vert, ou l'extension similaire

sortant de l'adaptateur, doit être reliée à une terre permanente comme un couvercle de prise bien mis à la terre. Dans le cas où l'adaptateur est utilisé, il doit être fixé en place par une vis métallique.

REMARQUE : Au Canada, l'utilisation d'un adaptateur temporaire n'est pas autorisée par la réglementation électrique nationale.

### MÉTHODES DE MISE À LA TERRE

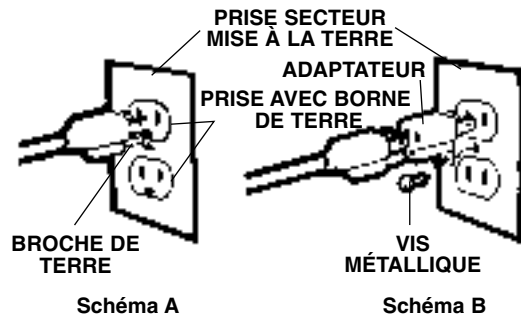


Schéma A

Schéma B

**Les Orbiter® modèle 400, 600 et 700 ne sont prévus que pour un usage domestique.**

**Le modèle Orbiter® 550 est prévu pour une utilisation professionnelle.**

### Garantie

Oreck Corporation (Oreck) vous fournit la garantie limitée suivante pour ce produit uniquement s'il a été acheté à l'origine pour utilisation, et non pour revente, chez Oreck ou un revendeur Oreck agréé.

Oreck réparera ou remplacera sans frais pour l'acheteur d'origine toute pièce trouvée défectueuse pour les matériaux ou la main d'œuvre de fabrication pendant un (1) an suivant sa date d'achat. Cette garantie limitée ne s'applique qu'en cas d'utilisation normale pour le produit spécifique. Le moteur bénéficie d'une garantie limitée de un (1) ans. Remarque: La machine pour sols série 550 est prévue pour une utilisation industrielle. Toute utilisation industrielle des machines pour sol séries 400, 600 ou 700 annulerait leur garantie.

Les composants renvoyés en port payé à l'avance à un centre de service agréé Oreck, ou directement à l'usine Oreck, seront réparés ou remplacés sans frais (au choix d'Oreck ou de son centre de service) quand après leur examen par ces entités Oreck les composants seront bien constatés défectueux.

Les brosses, tampons, blocs de transmission et d'autres pièces sont sujets à de l'usure normale et ne sont pas couverts par la garantie limitée. Cette garantie limitée ne s'applique pas non plus à toute pièce ayant subi accident, maltraitance, altération, usage inapproprié, dommages par incendie ou catastrophe naturelle, utilisation de tensions non indiquées sur la plaque signalétique du produit, ou intervention menée par une entité autre qu'Oreck ou un de ses centres de service agréés.

Oreck n'autorise aucune personne ou représentant à assumer ou proposer toute autre obligation de garantie en relation avec la vente de ce produit.



La garantie limitée d'Oreck n'est valide que si vous conservez la preuve de votre achat depuis la société ou l'un de ses revendeurs agréés. Si vous avez acheté le produit à partir de n'importe quelle autre source, votre achat était « EN L'ÉTAT », c'est-à-dire qu'Oreck ne vous fournit aucune garantie, et que c'est vous et non Oreck qui assumez seul les risques liés à la qualité et à la performance du produit, incluant la totalité des coûts pour d'éventuelles interventions ou réparations de défauts nécessaires.

La responsabilité d'Oreck pour des dommages qui pourraient vous affecter, quelque soit leur montant, survenant dans le cadre de cette garantie limitée, ne dépassera pas le montant payé pour acheter ce produit à la date d'acquisition d'origine, et Oreck ne sera tenu pour responsable d'aucuns dommages directs ou indirects, consécutifs ou accessoires, causés par l'utilisation ou l'impossibilité d'utiliser ce produit.

Certaines juridictions ne permettent pas l'exclusion ou la limitation des dommages accessoires ou consécutifs, en conséquence de quoi la limitation ou exclusion formulée plus haut peut ne pas s'appliquer à votre cas.

TOUTES LES GARANTIES EXPLICITES ET IMPLICITES POUR CE PRODUIT, INCLUANT LES GARANTIES IMPLICITES DE VALEUR MARCHANDE ET D'ADÉQUATION À UNE FINALITÉ PARTICULIÈRE, SONT LIMITÉES EN DURÉE À CELLE DE LA PÉRIODE DE GARANTIE, ET AUCUNE AUTRE GARANTIE, EXPLICITE OU IMPLICITE, N'EST APPLICABLE APRÈS CETTE PÉRIODE.

Certaines juridictions ne permettent pas les limitations de durée pour les garanties implicites, en conséquence de quoi la limitation formulée plus haut peut ne pas s'appliquer à votre cas.

Cette garantie vous octroie des droits légaux spécifiques, et vous pouvez avoir d'autres droits qui varient d'une juridiction à l'autre.

## Service à la clientèle

Votre aspirateur ORECK est un produit utilisant des mécanismes précis. Les paliers du moteur sont lubrifiés de façon permanente et ne doivent pas être huilés. Si vous avez besoin d'informations supplémentaires ou si vous avez des problèmes avec votre appareil ORECK, vous pouvez appeler le service à la clientèle commerciaux ORECK au:

**USA: 1-800-989-3535**

**Canada: 1-888-676-7325**

**Commercial: 1-800-242-1378**

Veuillez indiquer le numéro de modèle et le numéro de série/code apparaissant sur la plaque signalétique derrière l'aspirateur.

Conservez votre reçu de vente ou de caisse. Si votre appareil ORECK a un jour besoin d'une réparation sous garantie aux États-Unis, présentez ce coupon au centre autorisé de service après-vente comme preuve d'achat datée. Au Canada, appelez le service à la clientèle.

## Introduction

La machine multi-sols Orbiter® est la plus élaborée et la plus facile à utiliser de sa catégorie. Avec les soins voulus pour l'entretien et l'utilisation, votre machine multi-sols Orbiter® fonctionnera très longtemps. Ce fascicule vous dira comment en prendre soin et vous décrira ses caractéristiques, ses accessoires et leurs utilisations.

**ATTENTION : NE JAMAIS INTERVENIR SUR CETTE MACHINE SI ELLE EST RESTÉE BRANCHÉE. IL FAUT TOUJOURS LA DÉBRANCHER** de la prise électrique. Si la machine est laissée sans surveillance, s'assurer de bien la débrancher. Pour plus d'informations se reporter à la section « Entretien et dépannage ».

## Pour commencer

Votre machine multi-sols Orbiter® est livrée complètement assemblée et prête à l'emploi une fois que les accessoires appropriés sont fixés. L'interrupteur marche/arrêt est repéré par les symboles internationaux O (arrêt) et I (marche).

## Fixation des accessoires

La machine multi-sols Orbiter® peut être utilisée sur presque toutes les surfaces grâce aux accessoires spécifiques. Une liste complète et une description des accessoires disponibles sont incluses en page 22 à la section « Accessoires ».

### Fixation de tampon, bonnette ou toile abrasive:

1. Couchez la machine multi-sols Orbiter® sur le dos avec la poignée reposant au sol.
2. Fixez le tampon ou la bonnette sur le support noir d'entraînement de tampon en utilisant ses dents. Dans le cas de la fixation de toile abrasive, montez d'abord le tampon sur le support noir d'entraînement de tampon. Placez ensuite la toile abrasive sur le côté sol du tampon
3. Placez le support noir d'entraînement de tampon sur le plateau beige de support qui se trouve en bas de la machine multi-sols Orbiter® (voir le Schéma).
4. Redressez la machine multi-sols Orbiter® avec l'accessoire (tampon, bonnette ou toile abrasive) reposant sur le sol.

### Fixation de brosse :

1. Couchez la machine multi-sols Orbiter® sur le dos avec la poignée reposant au sol.
2. Avec les soies dirigée à l'opposée de l'unité, placez la brosse sur le plateau beige de support qui se trouve en bas de la machine multi -sols Orbiter® (voir le Schéma 1 en page suivante).
3. Redressez la machine multi-sols Orbiter® avec l'accessoire brosse reposant sur le sol.

**ATTENTION :** Ne montez JAMAIS la brosse ou le support noir d'entraînement de tampon sur la machine en les plaçant sur le sol et en amenant la machine au dessus, ou en plaçant la machine pardessus et en démarrant alors le moteur.

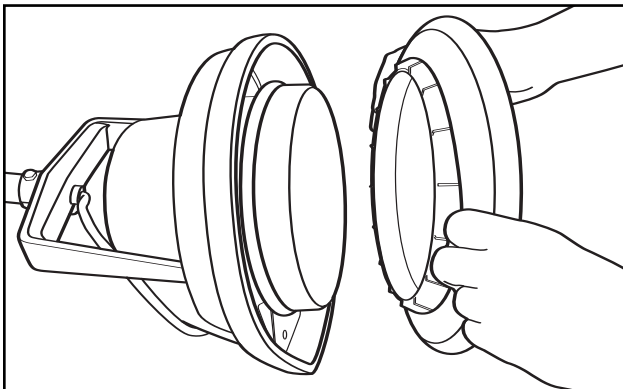


Schéma 1. Fixation de support noir d'entraînement de tampon ou de brosse

**ATTENTION :** Oreck recommande d'enlever brosses et tampons quand vous entreposez la machine multi-sols Orbiter®. Les accessoires (et particulièrement les brosses) peuvent se déformer s'ils sont stockés encore montés sur la machine.

### Démontage des accessoires

Couchez la machine multi-sols Orbiter® sur le dos et tirez sur la brosse ou le support noir d'entraînement de tampon pour l'enlever du plateau beige de support.

**ATTENTION :** Oreck recommande d'enlever brosses et tampons quand vous entreposez la machine multi-sols Orbiter®. Les accessoires (et particulièrement les brosses) peuvent se déformer s'ils sont stockés encore montés sur la machine.

### Mise en marche/arrêt de la machine pour sols

Le commutateur marche/arrêt de l'Orbiter est situé sur la face arrière du carter de moteur (400) ou sur la poignée (550, 600 & 700). Il a été conçu pour être activé de façon commode. I (marche) et O (arrêt) sont imprimés sur l'interrupteur (voir le Schéma 2). ASSUREZ-VOUS que l'interrupteur est en position d'arrêt (O) avant d'enficher la fiche secteur dans la prise. Avant de mettre la machine en marche, vérifiez qu'il y a bien une bonnette, un tampon ou une toile abrasive en place sur la machine.

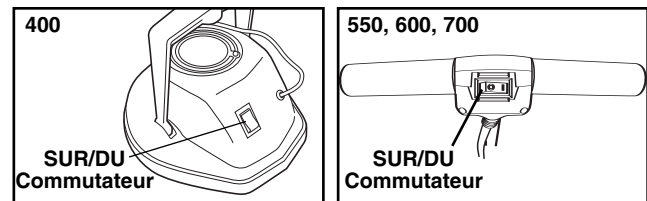


Schéma 1 Interrupteur marche/arrêt de la machine multi-sols Orbiter®

### Guidage de la machine pour sols

Prenez la poignée en « T » et faites glisser la machine sur le sol en passant d'un côté à l'autre. Cette poignée en T brevetée vous donne un entier contrôle. Le système de masselotte parfaitement équilibrée de l'Orbiter permet une action douce et facile avec un contrôle du bout des doigts.

**ATTENTION, IMPORTANT :** Portez toujours des chaussures fermées quand vous utilisez votre machine multi-sols Orbiter®. Avant d'effectuer l'une des procédures qui suivent, faites un essai dans une petite zone cachée pour vérifier la solidité de la couleur du matériau et que l'accessoire utilisé n'est pas trop agressif pour la surface.

## Applications sur moquettes et tapis

### Nettoyage à sec de moquette

**(Pour nettoyage en profondeur de moquette et tapis)**

Le système de nettoyage à sec Oreck pour moquette est la façon la plus commode et la plus efficace pour conserver la propreté et la beauté de vos moquettes et tapis. Il élimine efficacement des saletés et souillures pour lesquelles l'aspirateur est impuissant. À la différence de nombreux extracteurs pour moquette, nettoyeurs à vapeur ou accessoires de nettoyage à vapeur, il ne laisse pas de résidu savonneux sur votre moquette qui attire ensuite la poussière et cause un encrassement rapide. Il s'utilise dans la maison sans danger pour les enfants et les animaux familiaux.

### Équipement et matériaux nécessaires:

- Machine multi-sols Orbiter®
- Support noir d'entraînement de tampon
- Bonnette blanche en ratine (pour les moquettes berbères ou rases) ou brosse à moquette noire (pour les moquettes à fibres moyennes ou haute laine)
- Premist® de Oreck à vaporiser à l'avance pour détacher la saleté
- Nettoyant à sec Oreck pour moquette

### Procédure de nettoyage à sec de moquette:

1. Vaporisez du Premist® de Oreck à l'avance pour détacher la saleté de la moquette par zones de 1,8 x 1,8 m.
2. Saupoudrez de nettoyant à sec Oreck sur la zone de moquette sans exagération.
3. Faites travailler le nettoyant à sec dans la moquette avec la machine multi-sols Orbiter® équipée de la bonnette blanche en ratine (pour les moquettes berbères ou rases) ou de la brosse à moquette noire (pour les moquettes à fibres moyennes ou haute laine).
4. Répétez les étapes 1 à 3 jusqu'à ce que toute la moquette ait été traitée. On peut marcher sur la moquette pendant ou immédiatement après le traitement sans effets néfastes.
5. Quand la bonnette blanche en ratine devient sale, retournez-la. Quand la tâche est terminée, nettoyez cette bonnette blanche en ratine à la machine à laver à l'eau froide, ou bien au jet, et laissez-la sécher à l'air.
6. Après un délai d'au moins 30 minutes, passez l'aspirateur Oreck sur les zones traitées.

Reportez-vous à l'emballage du nettoyant à sec pour avoir des instructions complètes.

### Nettoyage à la bonnette

#### (Pour nettoyage en surface de moquette et tapis)

Cette procédure peut être suivie sur la plupart des moquettes (suivez les recommandations du fabricant pour les moquettes et tapis faits main, en soie et orientaux).

### Équipement et matériaux nécessaires:

- Machine multi-sols Orbiter®
- Support noir d'entraînement de tampon
- Bonnette blanche en ratine
- Premist® de Oreck à vaporiser à l'avance pour détacher la saleté

### Procédure:

1. Vaporisez du Premist® de Oreck à vaporiser à l'avance sur la partie sale de la moquette ou les zones à trafic intense.
2. Utilisez la machine multi-sols Orbiter® équipée de la bonnette blanche en ratine pour lever la saleté en passant la bonnette sur la zone traitée.
3. Quand la bonnette blanche en ratine devient sale, retournez-la et continuez le nettoyage de la moquette.
4. Quand la tâche est terminée, nettoyez cette bonnette blanche en ratine à la machine à laver à l'eau froide, ou bien au jet, et laissez-la sécher à l'air.

## Applications sur sols laminés, vinyle et linoléum

### Nettoyage de surface

Le nettoyant pour sols Timberworks® restaure la beauté naturelle de tous vos parquets en bois dur (à ne pas utiliser sur sols carrelés, en pierre ou cirés). Il élimine efficacement et sans danger la saleté, les petites éraflures et les souillures superficielles de votre plancher, pour révéler leur beau lustre d'origine.

### Équipement et matériaux nécessaires :

- Machine multi-sols Orbiter®
- Support noir d'entraînement de tampon
- Bonnette blanche en ratine
- Nettoyant pour sols Timberworks®
- Tampon blanc de polissage (optionnel)

### Procédure:

Pour nettoyer les planchers en dur, y compris le bois à revêtement polyuréthane, et les sols laminés, vinyle ou linoléum, utilisez le nettoyant pour sols Timberworks® et la machine multi-sols Orbiter® équipée de la bonnette blanche en ratine.

1. Pulvérisez légèrement une zone de 1,8 x 1,8 m avec du nettoyant pour sols Timberworks® (le produit est très couvrant).
2. Nettoyez la zone à traiter avec la machine multi-sols Orbiter® équipée de la bonnette blanche en ratine.
3. Les sols doivent briller avec un joli lustre. Le nettoyant pour sols Timberworks® ne laisse pas de résidus. Des traînées ou ternissements éventuellement constatés ne peuvent résulter que de dépôts par d'autres nettoyants de sol antérieurs. Si nécessaire répétez la procédure jusqu'à ce que votre sol brille.
4. Si vous le souhaitez, les sols vinyle ou laminés peuvent se polir pour améliorer le lustrage, en utilisant le tampon blanc de polissage après la phase de nettoyage.

Reportez-vous à la bouteille de Timberworks® pour avoir des instructions complètes.

### Récurage

Cette procédure peut être utilisée sur les surfaces de sol en dur, **SAUF LES PARQUETS EN BOIS**.

### Équipement et matériaux nécessaires:

- Machine multi-sols Orbiter®
- Support noir d'entraînement de tampon
- Tampon marron de décapage ou tampon bleu de récurage suivant la surface de sol
- Brosse orange de récurage
- Aspirateur, balai ou vadrouille sèche
- Solution nettoyante
- Cercle intérieur (anneau) de tampon marron de décapage ou tampon bleu de récurage
- 2 vadrouilles (1 pour appliquer/absorber la solution de nettoyage, 1 pour rincer le sol)
- Seau avec essoreuse
- Aspirateur pour déchets solides et humides

**Procédure:**

1. Aspirez la zone à nettoyer ou passez-y le balai ou la vadrouille sèche.
2. Faites le mélange de la solution nettoyante suivant les instructions du fabricant sur l'étiquette du conteneur.
3. Appliquez cette solution nettoyante sur une zone de 1,8 x 1,8 m.
4. Laissez agir 5 minutes la solution, puis récurer le sol avec la Machine multi-sols Orbiter® équipée d'un tampon marron de décapage ou tampon bleu de récurage.
5. Utilisez plutôt la brosse orange de récurage sur les sols avec craquelures, crevasses et lait de ciment.
6. Utilisez le cercle intérieur (anneau) de tampon marron de décapage ou tampon bleu de récurage pour nettoyer à la main dans les angles et autour des montants de portes.
7. Récupérez la solution sale avec la vadrouille ou l'aspirateur pour déchets solides et humides. **NE LAISSEZ PAS LA SOLUTION NETTOYANTE SÉCHER SUR LE SOL.**
8. Répétez les étapes 3-6 sur d'autres zones jusqu'à la fin du nettoyage de tout le sol.
9. Utilisez la vadrouille ou la Machine multi-sols Orbiter® équipée de la bonnette blanche en ratine pour rincer le sol.

**Précautions:**

1. N'inondez pas la zone de sol avec de la solution nettoyante, et ne laissez pas la solution sécher avant de l'enlever.
2. Utilisez la vadrouille propre pour le rinçage final.
3. Changez fréquemment l'eau de rinçage.
4. Utilisez un linge humide pour essuyer toutes les projections sur les cloisons ou les meubles.

**Décapage**

Cette procédure peut être utilisée sur la plupart des types de surfaces de sols en dur, SAUF LES PARQUETS EN BOIS ET LES SOLS EN PIERRE, pour éliminer l'encaustique polissable ou les revêtements.

**Équipement et matériaux nécessaires:**

- Machine multi-sols Orbiter®
- Support noir d'entraînement de tampon
- Tampon marron de décapage
- Aspirateur, balai ou vadrouille sèche
- Décapant pour cire ou solution décapante
- Cercle intérieur (anneau) de tampon marron de décapage
- 2 vadrouilles (1 pour appliquer/absorber la solution décapante, 1 pour rincer le sol)
- Seau avec essoreuse
- Aspirateur pour déchets solides et humides et récipient de récupération d'eau de rinçage (optionnel)

**Procédure:**

1. Aspirez la zone à nettoyer ou passez-y le balai ou la vadrouille sèche.

2. Faites le mélange de la solution décapante suivant les instructions du fabricant sur l'étiquette du conteneur.
3. Trempez la vadrouille dans cette solution décapante et appliquez sur le sol sur une zone de 1,8 x 1,8 m. Passez d'abord sur les bordures de plinthes ou là où s'est accumulée la cire ou la saleté.
4. Laissez agir 5 minutes la solution, puis récurer le sol avec la Machine multi-sols Orbiter® équipée d'un tampon marron de décapage. Utilisez le cercle intérieur (anneau) de tampon marron de décapage pour nettoyer à la main dans les angles et autour des montants de portes.
5. Récupérez la solution sale avec la vadrouille ou l'aspirateur pour déchets solides et humides. **NE LAISSEZ PAS LA SOLUTION DÉCAPANTE SÉCHER SUR LE SOL.**
6. Répétez les étapes 3-5 sur d'autres zones jusqu'à la fin du décapage de tout le sol.
7. Rincez la zone DEUX FOIS à l'eau claire avec une vadrouille propre. Récupérez cette eau avec la vadrouille ou l'aspirateur pour déchets solides et humides.
8. Laissez le sol sécher avant d'appliquer une nouvelle couche de finition pour sol.

**Précautions:**

1. N'inondez pas la zone de sol avec de la solution décapante, et ne laissez pas la solution sécher avant de l'enlever.
2. Utilisez la vadrouille propre pour le rinçage final.
3. Changez fréquemment l'eau de rinçage.
4. Utilisez un linge humide pour essuyer toutes les projections sur les cloisons ou les meubles.

**Restauration**

Cette procédure peut être utilisée sur la plupart des types de surfaces de sols en dur, SAUF LES PARQUETS EN BOIS ET LES SOLS EN PIERRE.

**Équipement et matériaux nécessaires:**

- Machine multi-sols Orbiter®
- Support noir d'entraînement de tampon
- Tampon blanc de polissage ou bonnette en peau de mouton
- Liquide de finition pour sols
- Vadrouille à franges propres, taille 16-20 oz.
- Seau avec essoreuse
- Sac en plastique jetable

**Procédure:**

1. Placez le sac jetable dans le seau avec essoreuse. Cela protégera la finition de sol de la contamination par les résidus chimiques pouvant rester dans le seau.
2. Versez un bidon d'un quart de gallon de liquide pour finition de sols dans le sac jetable. La quantité de produit dépend de la surface de sol à traiter et du nombre de couches à y appliquer.
3. Ne trempez QUE le bout de la vadrouille dans le liquide de finition de sols et essorez-la légèrement.

Évitez de faire tomber des gouttes de produit ou d'éclabousser les cloisons.

4. Appliquez le produit de finition de sols en couches fines régulières. Appliquez EN PREMIER le long des plinthes et couvrez le reste de la surface de gauche à droite. **CONSEIL:** Seule une première couche de produit de finition a besoin d'être appliquée au bord des plinthes.
5. Laissez le produit de finition sécher 20 minutes avant d'appliquer une seconde couche.
6. Appliquez la seconde couche à partir d'environ 10cm de la plinthe. L'application doit se faire en direction perpendiculaire à celle de la première couche.
7. Des couches additionnelles (3 et 4) peuvent être appliquées pour atteindre le niveau d'apparence désiré. Quatre couches de produit de finition assurent une protection accrue de la surface du sol.
8. Laissez durcir 24 heures les couches de produit de finition avant de polir.
9. Polissez le sol pour plus de brillant avec la Machine multi-sols Orbiter® équipée d'un tampon blanc de polissage ou de la bonnette en peau de mouton.

#### Précautions:

1. Quand vous utilisez une vadrouille NEUVE pour le produit de finition de sol, n'oubliez pas de la rincer auparavant. Des restes de produits chimiques étrangers affecteraient la qualité du produit de finition.
2. Tremper complètement la tête de la vadrouille propre dans le produit est un gaspillage.
3. Tournez fréquemment la vadrouille pour une distribution régulière du produit de finition.
4. Ne laissez pas la vadrouille s'assécher, cela causerait des traînées.
5. Appliquez le produit de finitions en fines couches régulières.
6. NE versez PAS directement du produit de finition sur le sol pour essayer de le répartir également ensuite. Cela causerait des taches sombres et retarderait le temps de séchage.

## Applications sur sols en bois dur imprégné

### Nettoyage de surface de parquet imprégné

Cette procédure convient aux planchers de bois durs enduits de polyuréthane, mais pas aux planchers de bois cirés.

Le nettoyant pour sols Timberworks® restaure la beauté naturelle de tous vos parquets en bois dur (**à ne pas utiliser sur sols carrelés, en pierre ou cirés**). Il élimine efficacement et sans danger la saleté, les petites éraflures et les souillures superficielles de votre plancher, pour révéler leur beau lustre d'origine.

#### Équipement et matériaux nécessaires:

- Machine multi-sols Orbiter®
- Support noir d'entraînement de tampon
- Bonnette blanche en ratine
- Nettoyant pour sols Timberworks®
- Tampon blanc de polissage (optionnel)

#### Procédure:

Pour nettoyer les planchers en dur, y compris le bois à revêtement polyuréthane, et les sols lamés, vinyle ou linoléum, utilisez le nettoyant pour sols Timberworks® et la machine multi-sols Orbiter® équipée de la bonnette blanche en ratine.

1. Pulvérisez légèrement une zone de 1,8 x 1,8 m avec du nettoyant pour sols Timberworks® (le produit est très couvrant).
2. Nettoyez la zone à traiter avec la machine multi-sols Orbiter® équipée de la bonnette blanche en ratine.
3. Les sols doivent briller avec un joli lustre. Le nettoyant pour sols Timberworks® ne laisse pas de résidus. Des traînées ou ternissements éventuellement constatés ne peuvent résulter que de dépôts par d'autres nettoyants de sol antérieurs. Si nécessaire répétez la procédure jusqu'à ce que votre sol brille.

Reportez-vous à la bouteille de Timberworks® pour avoir des instructions complètes.

### Passage à la toile abrasive

#### (Parquets en bois)

Le passage à la toile abrasive est idéal pour refaire le revêtement polyuréthane sur les planchers en bois dur. La procédure n'est pas faite pour enlever en totalité l'ancien polyuréthane, mais pour atténuer les imperfections et préparer le plancher pour un revêtement neuf. Cependant, les revêtements en polyuréthane sont généralement très durables, et gardent longtemps un bel aspect. Essayez donc un bon nettoyage avant de refaire le revêtement en polyuréthane pour voir si le lustre d'origine peut être restauré.

#### Équipement et matériaux nécessaires:

- Machine multi-sols Orbiter®
- Support noir d'entraînement de tampon
- Tampon marron de décapage
- Toile abrasive grain 60
- Toile abrasive grain 80
- Toile abrasive grain 100
- Balai ou vadrouille sèche
- Aspirateur
- Chiffons à dépoussiérer

#### Procédure:

1. Utilisez la machine multi-sols Orbiter® équipée du tampon marron de décapage.
2. Placez un disque de toile abrasive grain 60 sous le tampon marron de décapage. Enlevez les résidus de ponçage avec un aspirateur ou un balai dans le sens des lames de parquet.
3. Placez un disque de toile abrasive grain 80 sous le tampon marron de décapage et poncez à nouveau plus finement.



4. Aspirez ou balayez le plancher, puis passez SOIGNEUSEMENT le chiffon de dépoussiérage.
5. Appliquez un enduit de finition en suivant les recommandations du fabricant.
6. Polissez entre les couches avec un disque de toile abrasive grain 100 et dépoussiérez au chiffon.

## Applications sur sols en bois dur ciré

### Nettoyage de surface et cirage de parquets cirés

Cette procédure convient uniquement aux planchers de bois durs avec enduit de finition à la cire.

#### Équipement et matériaux nécessaires:

- Machine multi-sols Orbiter®
- Support noir d'entraînement de tampon
- Bonnette en peau de mouton
- Brosse à polir havane (Union Mix)
- Tampon blanc de polissage
- Cire en pâte, 1 lb.
- Cire en pâte « Indian Sand » (brun rouge)
- Chiffons à dépoussiérer
- Encaustique polissable

#### Procédure:

1. Passez tout le plancher au chiffon à dépoussiérer.
2. Frottez toutes les taches de déversement avec un linge sec ou du papier essuie-tout. Utilisez un chiffon légèrement humide pour les taches collantes. Conseil : Polissez avec le tampon blanc de plissage pour restaurer le lustre.
3. Pour appliquer de la cire en pâte : Fixez le support noir d'entraînement de tampon sur la machine multi-sols Orbiter®. Appliquez une cuiller à soupe de cire en pâte sur quatre sections du tampon blanc de polissage. Placez le tampon sur le plancher et centrez le support noir d'entraînement de tampon sur le tampon blanc. Activez la machine multi-sols Orbiter® avec un mouvement d'arrière en avant et étalez la cire en pâte en une fine couche. Laissez sécher la cire 5 minutes. Retournez le tampon blanc de polissage pour polir avec sa face propre. Utilisez la brosse à polir havane ou la bonnette en peau de mouton pour obtenir un lustre encore plus brillant.

#### Conseils utiles:

1. Quand le plancher semble terne, essayez d'abord de le lustrer pour voir si vous pouvez retrouver son lustre d'origine au lieu de l'encaustiquer à nouveau.
2. Quand des zones de passage intensif ne réagissent plus au lustrage, n'encaustiquez que ces parties et lustrer l'ensemble du parquet pour obtenir un même lustre partout.
3. Utilisez de la cire en pâte transparente pour garder la couleur naturelle du plancher. Vous pouvez utiliser la cire pâte Indian Sand pour colorer un peu et compenser la décoloration des vieux parquets.

## Applications sur sols carrelés

### Nettoyage en profondeur

#### Équipement et matériaux nécessaires

- Machine multi-sols Orbiter®
- Support noir d'entraînement de tampon
- Brosse orange de récurage ou brosse noire à moquette
- Bonnette blanche en ratine
- Nettoyant pour sols carrelés Grunge Attack®

#### Procédure:

Le nettoyant pour sols carrelés Grunge Attack® soulève saleté, encrassement et graisse des carreaux et des joints, et donne un résultat étincelant.

1. Diluez le nettoyant pour sols carrelés Grunge Attack® dans une bouteille séparée pour pulvérisation en suivant les instructions sur le récipient.
2. Vaporisez légèrement sur une zone de 1,8 x 1,8 m avec le nettoyant pour sols carrelés Grunge Attack® dilué.
3. Nettoyez avec la machine multi-sols Orbiter® équipée d'une brosse orange de récurage pour les sols à carreaux en céramique ou le béton. Nettoyez avec la machine multi-sols Orbiter® équipée d'une brosse noire à moquette pour les sols à céramique délicate ou vernissée, ou les carreaux en porcelaine.
4. Répétez les étapes 1 à 3 pour les autres zones jusqu'au nettoyage complet.
5. Repassez sur toute la surface nettoyée avec la machine multi-sols Orbiter® équipée d'une bonnette blanche en ratine pour éliminer toute la saleté levée par la brosse orange de récurage. Si nécessaire humidifiez le sol avec de l'eau ou du nettoyant pour sols carrelés Grunge Attack® dilué.

Reportez-vous à l'étiquette de la bouteille de nettoyant pour sols carrelés Grunge Attack® pour les instructions complètes.

### Nettoyage léger

#### Équipement et matériaux nécessaires:

- Machine multi-sols Orbiter®
- Bonnette blanche en ratine
- Nettoyant pour sols carrelés Grunge Attack®

#### Procédure:

Le nettoyant pour sols carrelés Grunge Attack® soulève saleté, encrassement et graisse des carreaux et des joints, et donne un résultat étincelant.

1. Diluez le nettoyant pour sols carrelés Grunge Attack® dans une bouteille séparée pour pulvérisation en suivant les instructions sur le récipient.
2. Vaporisez légèrement sur une zone de 1,8 x 1,8 m avec le nettoyant pour sols carrelés Grunge Attack® dilué.
3. Nettoyez avec la machine multi-sols Orbiter® équipée d'une bonnette blanche en ratine. Cette bonnette est conçue pour décoller et enlever la saleté des surfaces dures.



Reportez-vous à l'étiquette de la bouteille de nettoyant pour sols carrelés Grunge Attack® pour les.

## Applications sur sols en pierre

### Nettoyage en profondeur

Pour nettoyage de tous types de sols en pierre, y compris marbre, granite, ardoise ou autres.

#### Équipement et matériaux nécessaires:

- Machine multi-sols Orbiter®
- Brosse à polir havane (Union Mix)
- Nettoyant pour sols en pierre Stone Clear Bottom®
- Aspirateur, balai ou vadrouille sèche
- Vadrouille et seau

#### Procédure:

Le nettoyant pour sols en pierre Stone Clear Bottom® est un nettoyant quotidien équilibré à pH neutre, conçu pour nettoyer sans risque tous les sols en pierre sans endommager leur surface cristalline naturelle.

1. Nettoyez d'abord la surface par aspirateur, balai ou vadrouille sèche pour assurer la disparition de toute la poussière grossière.
2. Diluez le nettoyant pour sols en pierre Stone Clear Bottom® en suivant les instructions données sur la bouteille.
3. Pour nettoyer les sols en pierre et les joints, utilisez la Machine multi-sols Orbiter® équipée de la brosse à polissage havane (Union Mix).
4. Pour enlever la saleté et l'encrassement décollés par la brosse, passez la vadrouille avec de l'eau propre ou avec la solution de nettoyage Stone Clear Bottom®.

Reportez-vous à l'étiquette de la bouteille de nettoyant Stone Clear Bottom® pour les instructions complètes.

### Restauration du marbre

La crème de polissage Marble Restorer® de Michaelangelo est un mélange unique de microparticules abrasives qui restaure sans danger la structure cristalline naturelle du marbre et renouvelle l'éclat qu'il avait à l'origine. Les surfaces de marbre ternes sont ravivées efficacement et sûrement, les rayures légères de surface, abrasions, fissures de corrosion, traînées de cloisons de douches, marques d'eau et ronds de verres sont éliminés.

#### Équipement et matériaux nécessaires:

- Machine multi-sols Orbiter®
- Support noir d'entraînement de tampon
- Tampon beige pour marbre
- Tampon blanc de polissage
- Nettoyant pour sols en pierre Stone Clear Bottom®
- Bonnette en peau de mouton (optionnel)
- Crème de polissage Marble Restorer® de Michaelangelo
- Aspirateur, balai ou vadrouille sèche
- Vadrouille et seau
- Raclette en caoutchouc

#### Procédure:

1. Nettoyez d'abord la surface par aspirateur, balai ou vadrouille sèche pour assurer la disparition de toute la poussière grossière. Il faut enlever tous revêtements locaux.
2. Vaporisez de l'eau sur le sol puis appliquez de la crème de polissage Marble Restorer® de Michaelangelo, par cercle de diamètre 5 cm pour chaque surface de 1,5 m<sup>2</sup>. En utilisant la machine multi-sols Orbiter® équipée d'un tampon beige pour marbre, commencez à polir la zone. Polissez en inq passages ou plus, en gardant le produit en boue humide. Ne laissez pas le produit sécher sur le sol, vaporisez si nécessaire de l'eau pour cela.
3. Vérifiez les résultats en déplaçant la boue avec une raclette. Remettez du produit et continuez de polir si nécessaire. Éliminez finalement la boue avec un aspirateur pour déchets solides et humides ou une vadrouille propre.
4. Nettoyez immédiatement le sol avec une solution de 2 onces de nettoyant pour sols en pierre Stone Clear Bottom® pour un gallon d'eau, en vous assurant que toute la crème de polissage Marble Restorer® de Michaelangelo a été enlevée du sol.
5. Laissez le sol sécher complètement. Polissez le sol avec la machine multi-sols Orbiter® équipée d'un tampon blanc de polissage.

Reportez-vous à l'étiquette de la bouteille de Marble Restorer® de Michaelangelo pour les instructions complètes.

## Applications sur béton et asphalte

### Élimination de l'huile et de la saleté

La poudre absorbante Greaselock® nettoie efficacement et sans danger le béton et l'asphalte sans solvants. L'application Greaselock® est un minéral naturel qui absorbe et capture l'huile et la saleté de façon à pouvoir facilement les enlever mécaniquement ou par rinçage.

#### Équipement et matériaux nécessaires:

- Machine multi-sols Orbiter®
- Support noir d'entraînement de tampon
- Poudre absorbante Greaselock®
- Tampon marron de décapage
- Brosse orange de récurage

#### Procédure:

Pour nettoyer huile, saleté ou moisissures du béton lisse, utilisez la poudre absorbante Greaselock® et le tampon marron de décapage. Pour nettoyer le béton grossier ou irrégulier ou l'asphalte, utilisez la poudre absorbante Greaselock® et la brosse orange de récurage.

1. Pour les taches fraîches ou les déversements qui n'ont pas séché, utilisez la poudre absorbante Greaselock® comme une poudre sèche. Pour les taches sèches, ajoutez un petit peu d'eau en mélange ou au moment du récurage.
2. Appliquez généreusement de la poudre absorbante Greaselock® sur le déversement ou la zone à

nettoyer, pour recouvrir complètement. Laissez absorber cinq à dix minutes sur les taches fraîches, une nuit sur les taches anciennes.

3. Utilisez la machine multi-sols Orbiter® équipée d'un tampon marron de décapage ou d'une brosse orange de récurage pour agiter la poudre sur le sol. Nettoyez ensuite à la vadrouille ou au jet.

Reportez-vous à l'étiquette de l'emballage de la Poudre absorbante Greaselock® pour les instructions complètes.

## Accessoires

Oreck propose une ligne complète d'accessoires pour vous fournir les outils adaptés à vos tâches.

Suivant l'unité achetée, certains des accessoires qui suivent peuvent accompagner votre machine multi-sols Orbiter®. Tous ces accessoires sont disponibles chez plus de 450 magasins de vente au détail du matériel Oreck, ou via notre site Web [www.oreck.com](http://www.oreck.com).

Au moment de choisir parmi les différents tampons et brosses pour équiper votre Orbiter®, il n'y a pas de science exacte permettant de sélectionner un accessoire pour un sol particulier. Les bonnettes sont efficaces en nettoyage de la plupart des types de sols. Les tampons sont efficaces pour récurer et polir les surfaces dures. Les brosses sont efficaces pour atteindre les parties en retrait des surfaces non lisses, comme les carreaux, les soies pouvant entrer dans les lignes de joints. Quand vous

choisissez un accessoire, rappelez-vous qu'il doit être suffisamment agressif pour faire le travail mais assez doux pour ne pas endommager le sol. Utilisez votre bon sens. Par exemple n'utilisez pas un tampon marron de décapage (agressif) sur un plancher (sol tendre). Commencez par un accessoire sans danger et passez si besoin est à un plus agressif.

**ATTENTION :** Oreck recommande d'enlever brosses et tampons quand vous entreposez la machine multi-sols Orbiter®. Les accessoires peuvent se déformer s'ils sont stockés encore montés sur la machine.

### Général

#### Support noir d'entraînement de tampon 53178-51-0327

(Plastique noir avec dentelure)

- Maintient les tampons et les bonnettes en place



### Bonnettes

Les bonnettes sont conçues pour nettoyer la plupart des surfaces. Elles sont lavables et réutilisables.

#### Bonnette blanche en ratine 437053

- Cette bonnette nettoie les voies de circulation et les taches sur la moquette sans avoir à mouiller toute la surface.



- Utilisez-la avec Premist® de Oreck à vaporiser à l'avance pour détacher la saleté et le nettoyer à sec moquette.
- Quand un côté de la bonnette est sale, retournez-la et utilisez son autre face.
- Quand la tâche est terminée, nettoyez la bonnette en ratine en machine à l'eau froide ou au jet, et laissez-la sécher à l'air.

#### Bonnette en peau de mouton 437054

- Elle est conçue pour donner un maximum de brillant sur les sols en bois, carreaux ou vinyle.
- Utilisez cette bonnette pour le polissage de tous les jours afin d'éliminer les marques superficielles.
- Quand la tâche est terminée, nettoyez la bonnette en peau de mouton en machine à l'eau froide ou au jet, et laissez-la sécher à l'air.

Pour utiliser une bonnette, reportez-vous aux sections Fixation des accessoires et Démontage des accessoires en pages 15-16.

### Tampons

Les tampons sont conçus pour être poreux et ajourés (sauf le tampon beige) de sorte que quand ils détachent la saleté ils peuvent l'emporter. La saleté pénètre dans le tampon (c'est-à-dire quitte le sol). Tous les tampons peuvent se retourner pour utiliser leur autre face avant d'être nettoyés ou mis au rebut. Les tampons peuvent être dans certains cas nettoyés au jet et réutilisés.



Les tampons ont leur niveau d'agressivité signalé par leur couleur (sauf pour le tampon beige). Le blanc est le plus doux, suivi du bleu moyennement agressif et du marron qui est le plus agressif.

#### Tampon blanc de polissage 437051

(Le moins agressif)

- Application de cire en pâte.
- Nettoyage et polissage du bois (avec ou sans revêtement), linoléum et laminés.
- Nettoyage de toutes surfaces sauf la pierre.

#### Tampon bleu de récurage 437057

(Moyennement agressif)

- Utilisé pour récurer.
- Nettoie les carreaux et le béton.

#### Tampon marron de décapage 437049

(Le plus agressif)

- Décape les sols en linoléum, vinyle, laminés et carreaux.
- Peut s'utiliser sur du vinyle commercial.
- S'utilise sur du béton lisse.
- Peut s'utiliser avec une toile abrasive.
- Récurer et nettoie les terrasses en bois.
- Nettoie et décape les carreaux de faïence et le coulis.

#### Tampon beige pour le marbre 437058

(Marbre uniquement)

- Pour restaurer et nettoyer les sols en marbre.

Pour utiliser un tampon, reportez-vous aux sections Fixation des accessoires et Démontage des accessoires en pages 15-16.

## Brosses

Les brosses sont conçues pour passer dans les rainures et renforcements des surfaces inégales. Les brosses soulèvent et dégagent la saleté et les souillures incrustées.



Les brosses ont leur niveau d'agressivité signalé par leur couleur. La brosse noire pour moquette est la plus douce, suivie de la brosse havane de polissage (Union Mix) et de la brosse orange de récurage qui est la plus agressive.

### Brosse noire pour moquette 237049

(La moins agressive)

- Utilisée avec le shampoing à sec Oreck.
- Action douce sans danger nécessaire au nettoyage de moquette.
- S'utilise sur le linoléum structuré.
- S'utilise pour nettoyer les carreaux délicats ou vernissés de céramique ou de porcelaine.

### Brosse havane de polissage 237048

(Union Mix)

(Moyennement agressive)

- Utilisée pour polir les planchers en bois.
- Fait fondre la cire en excès sur le sol, maintien une égale de cire et élimine les accumulations de cire.
- S'utilise pour pénétrer dans les fissures de plancher en bois.
- S'utilise pour polir les planchers en bois cirés.
- S'utilise sur les sols en marbre, pierre ou carreaux délicats.

### Brosse orange de récurage 237047

(La plus agressive)

- Utilisée pour nettoyer les carreaux de céramique ou le béton, et sur beaucoup de taches récalcitrantes.

Pour utiliser une brosse, reportez-vous aux sections Fixation des accessoires et Démontage des accessoires en pages 15-16.

## Toiles abrasives

Les toiles abrasives sont ce qu'il y a de mieux pour le ponçage de sol. Pour toutes les toiles abrasives, placez le support noir d'entraînement de tampon sur la machine multi-sols Orbiter®. Puis placez la toile abrasive sous n'importe quel tampon sur le sol et centrez la machine multi-sols Orbiter® sur le tampon.



**Grain 60**  
**Grain 80**  
**Grain 100**

**SS12060**  
**SS12080**  
**SS12100**

Pour toutes questions ou demandes d'informations sur la ligne des produits de nettoyage Oreck, veuillez nous contacter ou voir votre revendeur Oreck local.

### USAGE DOMESTIQUE

**USA: 1-800-989-3535**

**Canada: 1-888-676-7325**

**www.oreck.com**

### USAGE COMMERCIAL

**Commercial: 1-800-242-1378**

**www.oreckcommercial.com**

## Entretien et dépannage

### Soins de votre machine pour sols Oreck

Ceci est une machine de précision. Les chutes, les coups violents ou la manipulation brutale peuvent entraîner des dommages au système de masselotte d'équilibre. Enroulez de façon lâche votre cordon secteur autour des deux crochets de la poignée. Enlevez les brosses après utilisation. Leurs soies peuvent s'abîmer du fait du poids de la machine; Entreposez votre machine en position debout. Après chaque utilisation, essuyez toute trace de cire ou de solution nettoyante de la machine. Après un ponçage chassez la poussière du moteur par soufflage. Nettoyez l'enveloppe et le pare-chocs avec un chiffon humide après chaque utilisation. Un petit peu d'entretien maintiendra votre machine Orbiter® comme neuve.

### Entretien Par L'utilisateur

Les roulements du moteur de la machine Orbiter® sont lubrifiés en usine et scellés. Toutes les interventions sur la machine doivent être effectuées par un centre de service agréé. Il n'y a pas à l'intérieur de pièces que l'utilisateur puisse dépanner par lui-même.

**TOUTES LES AUTRES RÉPARATIONS DOIVENT ÊTRE FAITES DANS UN CENTRE DE RÉPARATION TORISÉ.**

**APPELEZ LE SERVICE TÉLÉPHONIQUE GRATUIT D'ASSISTANCE À LA CLIENTÈLE**

**USA: 1-800-989-3535**

**CANADA: 1-888-676-7325**

**COMMERCIAL: 1-800-242-1378**

**Guide de Dépannage**



**AVERTISSEMENT:** Avant d'exécuter cette opération, débranchez le cordon d'alimentation de la prise murale.

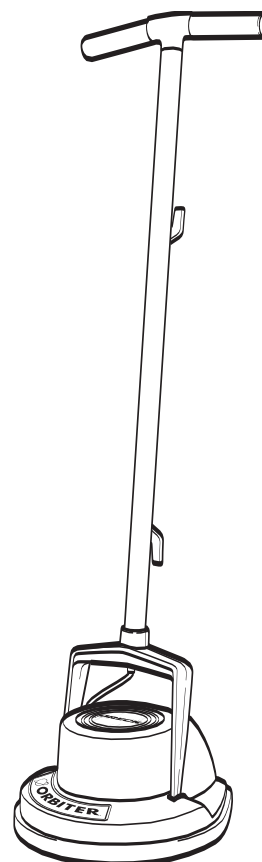
PROBLÈME	CAUSE POSSIBLE	VÉRIFICATIONS
<b>La machine pour entretien des sols ne tourne pas</b>	L'appareil est mal branché.	Vérifiez que l'aspirateur est fermement branché dans la prise murale et la rallonge.
	Aucune électricité n'arrive à la prise murale.	Vérifiez le fusible ou le disjoncteur du circuit utilisé.
	Fusible grillé/ disjoncteur déclenché.	Remplacer le fusible/Réamorcer le disjoncteur.
	Le disjoncteur de protection du moteur a déclenché.	Arrêtez à l'interrupteur et débranchez le nettoyeur. Vérifiez si l'arbre du moteur n'est pas grippé. Laissez le moteur refroidir 30 minutes et le système se restaurer. Si la machine est équipée d'un bouton rouge de restauration, activez-le alors.
<b>La machine pour entretien des sols saute</b>	Brosse ou porte tampon mal fixé.	Bien remettre en place (voir instructions d'utilisation).
	Utilisation de la brosse sur surface sèche sans shampooing sec ou humide	Appliquer le shampooing nécessaire, sec ou humide.
	Utilisation de la brosse noire à moquette sur une moquette berbère ou à poils ras.	Utilisez plutôt la bonnette blanche en ratine.

**ORECK® XL**

**SIMPLY AMAZING®**

**GUIA DEL USUARIO**

**E S P A Ñ O L**



**ORBITER®**  
**MULTI-FLOOR MÁQUINA**

**RORB400 / RORB550 / RORB600 / RORB700**

**SERIE**

**•IMPORTANT•**  
**¡GUARDE ESTE FOLLETO!**

**Incluye:**  
Advertencias de seguridad  
Garantía  
Instrucciones de operación  
Diagnóstico de problemas  
Accesorios

**Antes de OPERAR LA ASPIRADORA, lea con cuidado todas las instrucciones incluidas en este manual.**

## Índice

<b>INFORMACIÓN GENERAL Y DE SEGURIDAD</b>	25
Instrucciones importantes de seguridad	25
Información para la puesta a tierra	26
Garantía	26
Servicio al cliente	27
<b>INTRODUCCIÓN</b>	27
<b>PARA EMPEZAR</b>	27
Instalación de accesorios	27
Extracción de accesorios	28
Encendido y apagado de la Máquina para Pisos	28
Manejo de la Máquina para Pisos	28
<b>APLICACIÓN EN ALFOMBRAS Y TAPETES</b>	28
Limpieza a seco de alfombras	28
Limpieza con bonete	29
<b>APLICACIÓN EN PISOS LAMINADOS, VINÍLICOS Y DE LINÓLEO</b>	29
Limpieza superficial	29
Fregado	29
Desprendimiento	30
Reacabado	30
<b>APLICACIÓN EN PISOS SELLADOS DE MADERA DURA</b>	31
Limpieza superficial de pisos sellados	31
Pulido con mallas abrasivas	31
<b>APLICACIÓN EN PISOS ENCERADOS DE MADERA DURA</b>	32
Limpieza superficial y encerado de pisos de madera dura	32
<b>APLICACIÓN EN PISOS DE BALDOSAS</b>	32
Limpieza profunda	32
Limpieza ligera	32
<b>APLICACIÓN EN PISOS DE PIEDRA</b>	33
Limpieza profunda	33
Restauración de mármol	33
<b>APLICACIÓN EN CONCRETO Y ASFALTO</b>	33
Eliminación de aceite y suciedad	33
<b>ACCESORIOS</b>	34
De uso general	34
Bonetes	34
Almohadillas	34
Cepillos	35
Mallas abrasivas	35
<b>MANTENIMIENTO Y LOCALIZACIÓN DE FALLAS</b>	35
Cuidado de su Máquina Oreck Multi-Floor	35
Mantenimiento por el usuario	35
Guía de localización de fallas	36

## Información General y de Seguridad

### INSTRUCCIONES IMPORTANTES DE SEGURIDAD

Cuando utilice un aparato eléctrico, siempre debe seguir precauciones básicas, incluyendo las siguientes:

#### LEA TODAS LAS INSTRUCCIONES ANTES DE USAR ESTA ASPIRADORA



### ADVERTENCIA

#### Para reducir el riesgo de incendio, descarga eléctrica o lesiones:

- Utilice dentro solamente.
- Riesgo de explosión - El lijado del piso puede producir una mezcla explosiva de polvo fino y aire. Use la lijadora de pisos solamente en una zona bien ventilada.
- No permita que se use como juguete. Es necesario poner mucha atención cuando la usen los niños o cuando se use cerca de ellos.
- No deje el aparato sin atender cuando esté conectado. Desconéctelo de la toma de corriente cuando no esté en uso y antes de darle servicio.
- Úsela solamente como se describe en este manual. Utilice solamente los aditamentos recomendados por el fabricante.
- No la use con el cordón o clavija dañados. Si la aspiradora no funciona como debería, si se ha caído, dañado, dejado en exteriores, o dejado caer en agua, envíela a un centro de servicio o llame a servicio a clientes al:  
US: 1-800-989-3535    Canada: 1-888-676-7325  
Commercial: 1-800-242-1378
- No tire de ella ni la mueva por el cordón, ni use el cordón como asa, no cierre la puerta sobre el cordón, ni jale el cordón alrededor de bordes o esquinas afiladas. Mantenga el cordón lejos de las superficies calientes.
- No opere el aparato sobre el cordón.
- No utilice en las escaleras.
- Conecte solamente a un receptáculo de pared con toma de tierra apropiada. Vea: Instrucciones para la puesta a tierra.
- Desenchufe la máquina antes de instalar o quitar los cepillos de limpieza/almohadillas.
- Advertencia - Para reducir el riesgo de incendio, use solamente limpiadores y ceras para pisos disponibles en el mercado y diseñados para aplicación con máquina.
- No lo desconecte jalando el cordón. Para desconectarlo, tome la clavija, no el cordón.
- No manipule la clavija ni el aparato con las manos mojadas.
- No ponga objetos pesados en las aberturas. No lo use con alguna abertura bloqueada; manténgalo libre de polvo, pelusa, cabello y cualquier cosa que pueda reducir el flujo de aire.



- Mantenga el cabello, ropa suelta, dedos y todas las partes del cuerpo lejos de las aberturas y partes móviles.
- Apague todos los controles antes de desconectarla.
- No use el aparato en espacios cerrados donde puedan emanarse vapores inflamables, explosivos o tóxicos por pintura a base de aceite, adelgazador de pintura, algunas sustancias a prueba de moho, o en un área donde haya presente polvo inflamable.

## ATENCIÓN

Este artefacto debe conectarse a un sistema de cableado permanente metálico conectado a tierra; o se debe pasar un conductor de conexión a tierra del equipo con los conductores del circuito y conectado al terminal de puesta a tierra del equipo o conductor en el artefacto..

**IL FAUT TOUJOURS DÉBRANCHER L'APPAREIL AVANT D'Y INSTALLER OU ENLEVER DES ACCESSOIRES. IL FAUT TOUJOURS PORTER DES CHAUSSURE EN UTILISANT UN APPAREILLAGE ÉLECTRIQUE.**

## GUARDE ESTAS INSTRUCCIONES

### Información para la puesta a tierra

#### ▲ ATENCIÓN ▲

Este artefacto debe estar conectado a tierra. Si llegara a funcionar mal o averiarse, la conexión a tierra proporciona un paso de menor resistencia para la corriente eléctrica con el fin de reducir el riesgo de electrochoque. Esta artefacto tiene un cordón de alimentación provisto de un conductor de conexión a tierra de equipo y un enchufe con puesta a tierra. El enchufe debe insertarse en un tomacorriente adecuado que esté correctamente instalado y conectado a tierra de acuerdo con todos los códigos y ordenanzas locales.

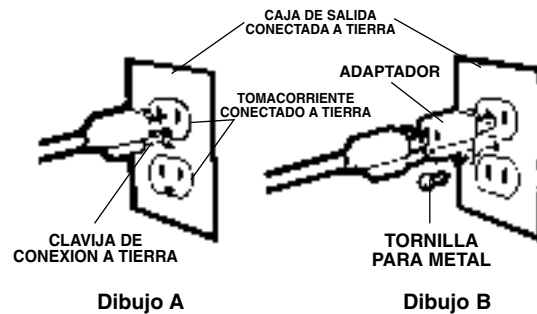
#### ▲ ADVERTENCIA ▲

La conexión incorrecta del conductor de conexión a tierra de equipo puede resultar en un riesgo de electrochoque. Ante cualquier duda respecto a la conexión a tierra del tomacorriente, consulte a un electricista o técnico competente. No modifique el enchufe provisto con el artefacto - si no entra en el tomacorriente, haga instalar un tomacorriente adecuado por un electricista competente.

Este artefacto es para utilizarse en un circuito de 120 voltios nominales, y tiene un enchufe con puesta a tierra parecido al que se ilustra en el dibujo A. Si no se dispone de un tomacorriente conectado a tierra, se puede usar un adaptador temporal parecido al que se ilustra en el dibujo B, para conectar este enchufe a un receptáculo de 2 polos, como se ilustra en el dibujo B. El adaptador temporal debe utilizarse solamente hasta que un electricista competente instale un tomacorriente correctamente conectado a tierra. La orejeta rígida de color verde, lengüeta o cosa parecida que sobresale del adaptador debe conectarse a una tierra permanente, tal como una cubierta de caja de salida correctamente conectada a tierra. Cada vez que se utilice un adaptador, debe estar sujeto en su lugar por un tornillo para metal.

NOTA: En Canadá, el Código Eléctrico Canadiense no permite el uso de un adaptador temporal.

## MÉTODOS DE CONEXION A TIERRA



**Orbiter® Modelo 400, 600 y 700** diseñadas para uso doméstico.

**Orbiter® Modelo 550** diseñada para uso comercial.

### Garantía

Oreck Corporation (Oreck) le otorga la siguiente garantía limitada para este producto, únicamente si el mismo ha sido comprado originalmente para uso, no para reventa, a Oreck o a un DISTRIBUIDOR AUTORIZADO por Oreck.

Oreck réparera ou remplacera sans frais pour l'acheteur d'origine toute pièce trouvée défectueuse pour les matériaux ou la main d'œuvre de fabrication pendant un (1) an suivant sa date d'achat. Cette garantie limitée ne s'applique qu'en cas d'utilisation normale pour le produit spécifique. Le moteur bénéficie d'une garantie limitée de un (1) ans. Remarque: La machine pour sols série 550 est prévue pour une utilisation industrielle. Toute utilisation industrielle des machines pour sol séries 400, 600 ou 700 annulerait leur garantie. Les composants sous garantie renvoyés en port prépayé à un centre de réparation agréé par Oreck ou directement chez Oreck seront réparés ou remplacés sans frais, au choix d'Oreck et/ou de son centre de réparations après qu'ils aient déterminé que ces composants étaient bien défectueux.

Los componentes que hayan sido devueltos, pagados por anticipado, a un Centro de Servicio Autorizado por la fábrica Oreck o a Oreck, serán reparados o reemplazados sin costo, a opción de Oreck y/o su centro de servicio, cuando habiendo sido examinados por cualquiera de ellos se encuentre que tales componentes son defectuosos.

Los cepillos, almohadillas, bloques de accionamiento y otras piezas, están sujetos al desgaste normal y no están cubiertos por esta garantía limitada.

Esta garantía limitada no se aplica a ninguna pieza sujeta a accidente, maltrato, alteración, uso indebido, daño causado por incendio o por hechos de fuerza mayor, utilización de tensiones eléctricas distintas de las indicadas en la placa del número de serie de este producto, o



servicio de este producto que no haya sido realizado por Oreck o por un Centro de Servicio Autorizado por la fábrica Oreck.

Oreck no autoriza a ninguna persona o representante a asumir u otorgar cualquier otra obligación de garantía vinculada con la venta de este producto.

La garantía limitada de Oreck es válida únicamente si usted retiene el comprobante de la compra a Oreck o a un distribuidor minorista autorizado por Oreck para este producto. Si usted compra este producto a cualquier otra fuente, su compra es 'TAL CUAL', lo que significa que Oreck no le otorga ninguna garantía, y que usted, y no Oreck, asume en su totalidad el riesgo de la calidad y desempeño de este producto, incluyendo el costo total de cualquier servicio, o reparación de cualquier defecto, que fueran necesarios.

La responsabilidad de Oreck hacia usted por daños, por todo costo de cualquier clase que surja de esta declaración de garantía limitada, se limitará a la cantidad pagada por este producto en ocasión de su compra original, y Oreck no será responsable de ningún daño directo, indirecto, consiguiente o incidental que surja de la utilización o de la inhabilidad para la utilización de este producto.

Algunas jurisdicciones no permiten la exclusión o limitación de los daños incidentales o consiguientes, por lo que la limitación o exclusión indicada puede no ser aplicable a su caso.

LA DURACIÓN DE TODAS LAS GARANTÍAS EXPRESAS E IMPLÍCITAS DE ESTE PRODUCTO, CON INCLUSIÓN DE LAS GARANTÍAS IMPLÍCITAS DE COMERCIABILIDAD Y ADECUACIÓN PARA UN PROPÓSITO PARTICULAR, ESTÁ LIMITADA AL PERÍODO DE GARANTÍA, Y NO SE APLICARÁN GARANTÍAS, YA SEA EXPRESAS O IMPLÍCITAS, DESPUÉS DE TRANSCURRIDO ESE PERÍODO.

Algunas jurisdicciones no permiten limitaciones en la duración de las garantías implícitas, por lo que la limitación indicada puede no ser aplicable a su caso.

Esta garantía le otorga derechos legales específicos, y usted puede tener otros derechos que varían de una jurisdicción a otra.

## Servicio al Cliente

Su aspiradora ORECK es un producto de diseño preciso. Los cojinetes del motor están lubricados permanentemente y no debe ponerles aceite. Si requiere información adicional o si tiene problemas con su aparato ORECK, puede llamar al servicio a clientes de ORECK al:

**USA: 1-800-989-3535**

**Canada: 1-888-676-7325**

**Commercial: 1-800-242-1378**

Por favor especifique el número de modelo y el número de serie/código, el cual se puede encontrar en la placa de datos en la parte posterior de la aspiradora.

Guarde su recibo de ventas o de compra. En caso que su aparato ORECK necesitara servicio de garantía en los EE. UU., presente este recibo en el centro de servicio autorizado como su comprobante de fecha de compra, o en Canadá, llame a servicio a clientes.

## Introducción

La Máquina Orbiter® Multi-Floor es la más avanzada y fácil de usar en su tipo. Con un uso y cuidado adecuados, su Máquina Orbiter® Multi-Floor es para toda la vida. Este folleto le indicará cómo cuidar su Máquina Orbiter® Multi-Floor y todo lo relativo a sus características, accesorios y los usos de los mismos.

**ATENCIÓN:** NUNCA PRESTE SERVICIO A LA MÁQUINA SI ESTÁ ENCHUFADA, DESCONÉCTELA SIEMPRE del tomacorriente eléctrico. Cuando la máquina quede desatendida, asegúrese de desconectarla. Si necesita más información, consulte la sección 'Mantenimiento y localización de fallas'.

## Para empezar

Su Máquina Orbiter® Multi-Floor viene completamente armada y lista para funcionar, una vez que se le hayan instalado los accesorios que corresponda. El interruptor de encendido/apagado tiene marcados los símbolos internacionales (O) (APAGADO) e (I) (ENCENDIDO).

## Instalación de accesorios

La Máquina Orbiter® Multi-Floor puede utilizarse sobre prácticamente cualquier superficie, mediante los accesorios apropiados. En la página 34, bajo el título 'Accesorios', se incluye una lista completa de los accesorios disponibles, con su descripción.

### Para instalar una almohadilla, bonete o malla abrasiva:

1. Apoye la Máquina Orbiter® Multi-Floor sobre su dorso, con la manija apoyada en el piso.
2. Fije la almohadilla o bonete al portaalmohadilla motriz negro, mediante los dientes del mismo. Si está instalando una malla abrasiva, fije primero la almohadilla al portaalmohadilla motriz negro. Luego coloque la malla abrasiva en el lado de la almohadilla que va contra el piso.

- Coloque el portaalmohadilla motriz negro en el disco de sujeción beige que está en el fondo de la máquina (vea la Figura 1).
- Coloque la máquina en posición vertical, con la almohadilla, bonete o malla abrasiva apoyados en el piso.

**Para instalar un cepillo:**

- Apoye la Máquina Orbiter® Multi-Floor sobre su dorso, con la manija apoyada en el piso.
- Con las cerdas apuntando hacia afuera de la unidad, coloque el cepillo en el disco de sujeción beige que está en el fondo de la máquina (vea la Figura 1).
- Coloque la máquina en posición vertical, con el cepillo apoyado en el piso.

**ATENCIÓN:** NUNCA coloque el cepillo o el portaalmohadilla motriz negro en la máquina dejándolos en el piso y moviendo la máquina en funcionamiento sobre ellos, y tampoco colocando la máquina sobre el cepillo o portaalmohadilla motriz negro y haciendo arrancar luego el motor.

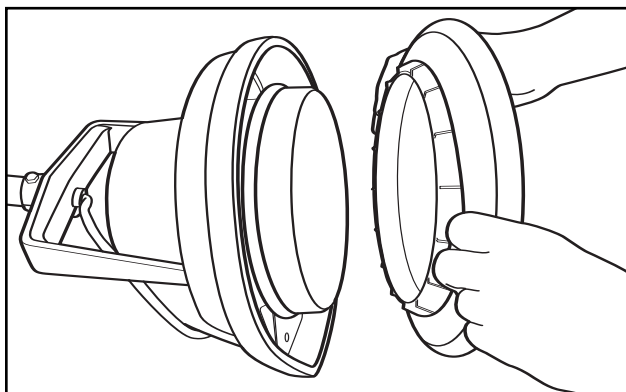


Figura 1. Instalación del portaalmohadilla motriz negro o del cepillo

**ATENCIÓN:** Oreck recomienda quitar los cepillos y las almohadillas cuando almacene la Máquina Orbiter® Multi-Floor. Si se guardan colocados en la máquina, los accesorios (especialmente los cepillos) pueden deformarse.

**Extracción de accesorios**

Apoye la Máquina Orbiter® Multi-Floor sobre su dorso, y tire del cepillo o del portaalmohadilla motriz negro para extraerlo del disco de sujeción beige.

**ATENCIÓN:** Oreck recomienda quitar los cepillos y las almohadillas cuando almacene la Máquina Orbiter® Multi-Floor. Si se guardan colocados en la máquina, los accesorios (especialmente los cepillos) pueden deformarse.

**Encendido y apagado de la Máquina para Pisos**

Le commutateur marche/arrêt de l'Orbiter est situé sur la face arrière du carter de moteur (400) ou sur la poignée (550, 600 & 700). Il a été conçu pour être activé de

façon commode. Está diseñado para que su activación sea cómoda. Lleva impresas las leyendas (I) (ENCENDIDO) y (O) (APAGADO). (Vea la Figura 2). CUIDE de que el interruptor esté en la posición APAGADO (O) antes de desenchufar el cordón de alimentación eléctrica del tomacorriente. Antes de encender la máquina, asegúrese de que tenga colocado un bonete, almohadilla o cepillo.

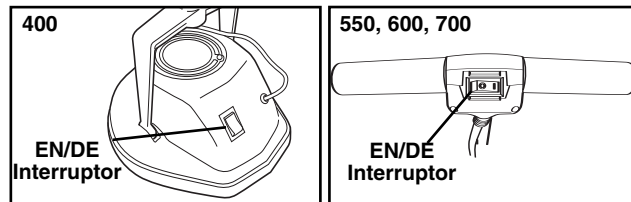


Figura 2. Interruptor ENCENDIDO/APAGADO de la Máquina Orbiter® Multi-Floor

**Manejo de la Máquina para Pisos**

Afere la exclusiva manija en T, y deslice la máquina por el piso en un movimiento de lado a lado. El diseño patentado de manija en T le asegura un completo control. El sistema de contrapeso perfectamente balanceado de la Orbiter le brinda una acción serena y fácil, con un control muy accesible.

**ATENCIÓN: IMPORTANTE: use siempre zapatos cuando maneje su Máquina Orbiter® Multi-Floor. Antes de aplicar por primera vez cualquiera de los procedimientos que se indican a continuación, haga una prueba en una pequeña área oculta para asegurar la firmeza de color del material, y que el accesorio utilizado no sea demasiado agresivo para la superficie.**

**Aplicación en alfombras y tapetes**

**Limpieza a seco de alfombras**

**(Para limpieza profunda de alfombras y tapetes)**

El Sistema de Limpieza Oreck Dry Carpet® es la manera más fácil y efectiva para que sus alfombras y tapetes sigan luciendo limpios y hermosos. Extrae en forma efectiva la suciedad y el tizne que no pueden quitar las aspiradoras. A diferencia de muchos extractores de alfombras, limpiadores de vapor o servicios de limpieza, no deja en su alfombra residuos jabonosos o pegajosos, que atraen la suciedad y provocan la rápida reaparición del manchado. Es seguro para utilizar en hogares con niños y mascotas.

**Equipos y materiales necesarios:**

- Máquina Orbiter® Multi-Floor
- Portaalmohadilla motriz negro
- Bonete blanco de tela de toalla (para alfombras bereberes o de pelo corto) o Cepillo negro para alfombras (para alfombras de pelo mediano o largo)
- Pre-rocido para aflojar la suciedad Oreck Premist®
- Limpiador Oreck Dry Carpet

**Procedimiento:**

1. Aplique el pre-rocido para aflojar la suciedad Oreck Premist® sobre un área de la alfombra de 1,80 m x 1,80 m (6' x 6') aproximadamente.
2. Disemine el limpiador Dry Carpet sobre el área tratada (no use más de lo necesario).
3. Impregne la alfombra con el limpiador Dry Carpet, mediante la Máquina Orbiter® Multi-Floor y el bonete blanco de tela de toalla (para alfombras bereberes o de pelo corto) o el cepillo negro para alfombras (para alfombras de pelo mediano o largo).
4. Repita los pasos 1 al 3 hasta haber tratado la alfombra por completo. La alfombra puede transitarse durante el tratamiento o inmediatamente después de él, sin efectos desfavorables.
5. Cuando el bonete se cubra de suciedad, delo vuelta. Cuando se complete el trabajo limpie el bonete en la máquina de lavar, con agua fría, o lávelo con manguera y déjelo secar al aire.
6. Después de una espera de 30 minutos como mínimo, las áreas tratadas con una aspiradora Oreck.

Vea las instrucciones completas en el envase del limpiador Dry Carpet.

**Limpieza con bonete****(Para limpieza superficial de alfombras y tapetes)**

Este procedimiento puede utilizarse en la mayoría de los tipos de alfombras (para tapetes o alfombras hechas a mano, de seda y orientales, siga las recomendaciones del fabricante).

**Equipos y materiales necesarios:**

- Máquina Orbiter® Multi-Floor
- Portaalmohadilla motriz negro
- Bonete blanco de tela de toalla
- Pre-rocido para aflojar la suciedad Oreck Premist®

**Procedimiento:**

1. Rocíe ligeramente el pre-rocido para aflojar la suciedad Premist® sobre el área sucia o de alto tráfico de la alfombra.
2. Para desprender la suciedad del área tratada utilice la Máquina Orbiter® Multi-Floor y el bonete blanco de tela de toalla. Pase el bonete de tela de toalla sobre el área tratada.
3. Dé vuelta el bonete cuando se cubra de suciedad, y continúe limpiando la alfombra.
4. Cuando se complete el trabajo limpie el bonete en la máquina de lavar, con agua fría, o lávelo con manguera y déjelo secar al aire.

**Aplicación en pisos laminados, vinílicos y de linóleo****Limpieza superficial**

El limpiador para pisos Timberworks® restituye la belleza natural de todos sus pisos duros (**no es para utilizar en pisos de piedra, de baldosas o encerados**). Extrae en forma segura y efectiva la suciedad, los rasguños y el tizne de sus pisos, para descubrir su hermoso lustre original.

**Equipos y materiales necesarios:**

- Máquina Orbiter® Multi-Floor
- Portaalmohadilla motriz negro
- Bonete blanco de tela de toalla
- Limpiador para pisos Timberworks®
- Almohadilla blanca de pulir (opcional)

**Procedimiento:**

Para limpiar pisos duros, incluidos los pisos de madera recubierta con poliuretano, laminados, vinílicos y de linóleo, utilice el limpiador para pisos Timberworks® y la Máquina Orbiter® Multi-Floor con el bonete blanco de tela de toalla.

1. Rocíe ligeramente un área de 1,80 m x 1,80 m (6' x 6') aproximadamente con el limpiador para pisos Timberworks® (con una pequeña cantidad es suficiente).
2. Limpie el área tratada con la Máquina Orbiter® Multi-Floor y el bonete blanco de tela de toalla.
3. Los pisos deben brillar con un hermoso lustre. El limpiador para pisos Timberworks® no deja residuo; si se observa un vetado o velado, puede ser el resultado de la acumulación de otros limpiadores para pisos. Si fuera necesario, repita el procedimiento hasta que el piso brille.
4. Si se desea, los pisos vinílicos y laminados pueden pulirse para lograr un lustre mayor, utilizando después de la limpieza la almohadilla blanca de pulir.

Vea las instrucciones completas en la botella de Timberworks®.

**Fregado**

Este procedimiento puede utilizarse en superficies de piso duro, **EXCEPTO PISOS DE MADERA**.

**Equipos y materiales necesarios:**

- Máquina Orbiter® Multi-Floor
- Portaalmohadilla motriz negro
- Almohadilla café de desprender o Almohadilla azul de fregar, según sea la superficie del piso
- Cepillo naranja de fregar
- Aspiradora, escoba o trapeador para polvo
- Solución de limpieza
- Círculo interior (Agujero Del Anillo de espuma) de la Almohadilla café de desprender o Almohadilla azul de fregar
- 2 trapeadores (uno para aplicar/recoger la solución de limpieza y otro para enjuagar el piso)
- Balde y escurridor
- Aspiradora para agua y polvo (Mojado-Seco) (opcional)

**Procedimiento:**

1. Aspire o barra el área del piso a limpiar con la escoba o el trapeador para polvo.
2. Mezcle la solución de limpieza de acuerdo con las instrucciones del fabricante incluidas en la etiqueta del recipiente.
3. Aplique la solución de limpieza en un área de 1,80 m x 1,80 m (6' x 6') aproximadamente.
4. Deje reposar la solución durante 5 minutos y friegue el piso con la Máquina Orbiter® Multi-Floor y la almohadilla café de desprender o la almohadilla azul de fregar.
5. Para pisos con grietas, hendiduras y juntas, utilice el cepillo naranja de fregar.
6. Para limpiar en esquinas y alrededor de quicios de puertas utilice el círculo interior (Agujero Del Anillo de espuma) de la almohadilla café de desprender o la almohadilla azul de fregar.
7. Recoja la solución sucia con el trapeador o con la aspiradora para agua y polvo (Mojado-Seco). **NO PERMITA QUE LA SOLUCIÓN DE LIMPIEZA SE SEQUE SOBRE EL PISO.**
8. Repita los Pasos 3 al 6 hasta que el piso esté totalmente limpio.
9. Para enjuagar el piso utilice el trapeador, o la Máquina Orbiter agua limpia.

**Precauciones:**

1. No inunde el piso con solución de limpieza ni deje que la solución se seque antes de recogerla.
2. Para el enjuague final utilice un trapeador limpio.
3. Cambie el agua de enjuague con frecuencia.
4. Utilice un paño húmedo para limpiar las salpicaduras que pudiera haber en las paredes o en los muebles.

**Desprendimiento**

Este procedimiento puede utilizarse en la mayoría de los tipos de superficies de piso duro, **EXCEPTO PISOS DE MADERA Y DE PIEDRA**, para eliminar cera para pisos o otros recubrimientos lustrables.

**Equipos y materiales necesarios:**

- Máquina Orbiter® Multi-Floor
- Portaalmohadilla motriz negro
- Almohadilla café de desprender
- Aspiradora, escoba o trapeador para polvo
- Eliminador de cera o solución para desprendimiento
- Círculo interior (Agujero Del Anillo de espuma) de la Almohadilla café de desprender
- 2 trapeadores (uno para aplicar/recoger la solución de limpieza y otro para enjuagar el piso)
- Balde y escurridor
- Aspiradora para agua y polvo (Mojado-Seco) para recoger el agua sucia y del enjuague (opcional)

**Procedimiento:**

1. Aspire o barra el área del piso donde se va a desprender el revestimiento, con la escoba o el trapeador para polvo.

2. Mezcle la solución para desprendimiento de acuerdo con las instrucciones del fabricante incluidas en la etiqueta del recipiente.
3. Sumerja el trapeador en la solución para desprendimiento y aplíquelo al piso en un área de 1,80 m x 1,80 m (6' x 6') aproximadamente. Comience aplicando la solución a lo largo de los bordes del zócalo, o allí donde haya acumulación de cera o de suciedad.
4. Deje reposar la solución durante 5 minutos y friegue el piso con la Máquina Orbiter® Multi-Floor y la almohadilla café de desprender. Para alcanzar esquinas y alrededor de quicios de puertas utilice el círculo interior (Agujero Del Anillo de espuma) de la almohadilla café de desprender.
5. Para recoger la solución sucia utilice el trapeador o la aspiradora para agua y polvo (Mojado-Seco). **NO PERMITA QUE LA SOLUCIÓN PARA DESPRENDIMIENTO SE SEQUE SOBRE EL PISO.**
6. Repita los pasos 3 al 5 hasta haber desprendido el revestimiento del piso por completo.
7. Enjuague el área DOS VECES con agua limpia y un trapeador limpio. Recoja el agua con el trapeador o con la aspiradora para agua y polvo (Mojado-Seco).
8. Deje que el piso se seque antes de aplicar un nuevo acabado.

**Precauciones:**

1. No inunde el piso con solución para desprendimiento ni deje que la solución se seque antes de recogerla.
2. Para el enjuague final utilice un trapeador limpio.
3. Cambie el agua de enjuague con frecuencia.
4. Utilice un paño húmedo para limpiar las salpicaduras que pudiera haber en las paredes o en los muebles.

**Reacabado**

Este procedimiento puede utilizarse en la mayoría de los tipos de superficies de piso duro, **EXCEPTO PISOS DE MADERA Y DE PIEDRA**.

**Equipos y materiales necesarios:**

- Máquina Orbiter® Multi-Floor
- Portaalmohadilla motriz negro
- Almohadilla blanca de pulir o bonete de lana de cordero
- Líquido para acabado del piso
- Trapeador de fibras limpio, tamaño para 500 a 600 mL (16 a 20 onzas)
- Balde y escurridor
- Bolsa plástica desechable

**Procedimiento:**

1. Coloque la bolsa desechable dentro del balde con el trapeador. Esto protegerá al acabado del piso de la contaminación y del residuo químico que queda en el balde.
2. Vierta el contenido de un recipiente de 950 mL (1/4 de galón) de acabado para piso en la bolsa

desechable. La cantidad necesaria de acabado para piso depende del tamaño del área del piso a cubrir y de la cantidad de capas a aplicar.

3. Sumerja SOLAMENTE la punta del trapeador en el acabado para piso, y escurra ligeramente. Evite el goteo del acabado para piso, así como el salpicado de las paredes.
4. Aplique el acabado para piso en capas delgadas y uniformes. Aplique la PRIMERA CAPA de acabado para piso a lo largo de los bordes del zócalo, y cubra el área restante del piso en dirección izquierda-derecha. **SUGERENCIA:** En los bordes del zócalo sólo es necesario aplicar la primera capa de acabado para piso.
5. Deje que el acabado para piso se seque durante 20 minutos antes de aplicar una segunda capa.
6. Aplique la segunda capa de acabado para piso a una distancia del zócalo igual al ancho de una baldosa. La aplicación debe hacerse en una dirección cruzada respecto a la capa precedente.
7. Para alcanzar el nivel de aspecto deseado deben aplicarse capas adicionales (3 y 4) de acabado para piso. Cuatro capas de acabado para piso proporcionarán protección extra a la superficie del piso.
8. Deje que el acabado para piso endurezca durante 24 horas antes del lustrado.
9. Para obtener mayor brillo, lustre el piso con la Máquina Orbiter® Multi-Floor y la almohadilla blanca de pulir o el bonete de lana de cordero.

#### Precauciones:

1. Cuando utilice trapeadores NUEVOS para aplicar el acabado para piso, asegúrese de enjuagar el trapeador primero. Las sustancias químicas extrañas afectarán el acabado del piso.
2. Sumergir la cabeza del trapeador completamente en el acabado para piso es un derroche de producto.
3. Haga girar el trapeador con frecuencia para lograr una distribución uniforme del acabado para piso.
4. No permita que el trapeador se seque, ya que esto producirá veteado.
5. Aplique el acabado para piso en capas delgadas y uniformes.
6. NO vierta el acabado para piso directamente sobre el piso para después intentar diseminarlo uniformemente. Esto producirá manchas oscuras y retrasará el tiempo de secado.

## Aplicación en pisos sellados de madera dura

### Limpieza superficial de pisos sellados

Este procedimiento es para aplicar en pisos de madera dura sellados con poliuretano, y no para pisos de madera dura encerados.

El limpiador para pisos Timberworks® restituye la belleza natural de todos sus pisos duros (**no es para utilizar en pisos de piedra, de baldosas o encerados**). Extrae en forma segura y efectiva la suciedad, los

rasguños y el tizne de sus pisos, para descubrir su hermoso lustre original.

#### Equipos y materiales necesarios:

- Máquina Orbiter® Multi-Floor
- Portaalmohadilla motriz negro
- Bonete blanco de tela de toalla
- Limpiador para pisos Timberworks®
- Almohadilla blanca de pulir (opcional)

Para limpiar pisos duros, incluidos los pisos de madera de utilice el limpiador para pisos Timberworks® y la Máquina Orbiter® Multi-Floor con el bonete blanco de tela de toalla. Los pisos vinílicos y laminados pueden pulirse para lograr un lustre mayor, utilizando después de la limpieza la almohadilla blanca de pulir.

1. Rocíe ligeramente un área de 1,80 m x 1,80 m (6' x 6') aproximadamente con el limpiador para pisos Timberworks® (con una pequeña cantidad es suficiente).
2. Limpie el área tratada con la Máquina Orbiter® Multi-Floor y el bonete blanco de tela de toalla.
3. Los pisos deben brillar con un hermoso lustre. El limpiador para pisos Timberworks® no deja residuo; si se observa un veteado o velado, puede ser el resultado de la acumulación de otros limpiadores para pisos. Si fuera necesario, repita el procedimiento hasta que el piso brille.

Vea las instrucciones completas en la botella de Timberworks®.

### Pulido con mallas abrasivas

#### (Pisos de madera)

El pulido con mallas abrasivas es ideal para el reacabado del recubrimiento de poliuretano en pisos de madera dura. El procedimiento no está diseñado para eliminar totalmente el poliuretano viejo, sino para alisar las imperfecciones y acondicionar el piso para un nuevo recubrimiento fresco. Sin embargo, los recubrimientos de poliuretano son generalmente muy durables y se ven bien por un largo tiempo; por eso, antes de proceder al reacabado del recubrimiento de poliuretano intente una limpieza a fondo, para ver si el lustre puede restaurarse.

#### Equipos y materiales necesarios:

- Máquina Orbiter® Multi-Floor
- Portaalmohadilla motriz negro
- Almohadilla café de desprender
- Malla abrasiva grano 60
- Malla abrasiva grano 80
- Malla abrasiva grano 100
- Escoba o trapeador para polvo
- Aspiradora
- Trapos adherentes

#### Procedimiento:

1. Utilice la Máquina Orbiter® Multi-Floor y la almohadilla café de desprender.
2. Coloque el disco de malla abrasiva grano N° 60 bajo la almohadilla café de desprender. Lije el piso. Elimine el residuo aspirando o barriendo el piso en la misma dirección de las tablas.
3. Coloque el disco de malla abrasiva grano N° 80 bajo la almohadilla café de desprender. Lije el piso.



4. Barra y aspire el piso, y luego aplique MINUCIOSAMENTE el trapo adherente.
5. Aplique el acabado de acuerdo con las recomendaciones del fabricante.
6. Entre una capa y otra, pula con un disco de malla abrasiva N° 100 y aplique el trapo adherente.

## Aplicación en pisos encerados de madera dura

### Limpeza superficial y encerado de pisos de madera dura

Este procedimiento debe utilizarse únicamente en pisos con ACABADO ENCERADO.

#### Equipos y materiales necesarios:

- Máquina Orbiter® Multi-Floor
- Portaalmohadilla motriz negro
- Bonete de lana de cordero
- Cepillo tostado de pulir (mezcla Union)
- Almohadilla blanca de pulir (opcional)
- Cera en pasta, 455 g (1 lb)
- Cera en pasta Indian Sand
- Trapeador para polvo
- Cera lustrable

#### Procedimiento:

1. Pase el trapeador para polvo por todo el piso.
2. Limpie los derrames con un paño seco o una toalla de papel. Para los derrames pegajosos utilice un paño ligeramente húmedo. Sugerencia: Para restaurar el lustre, aplique la almohadilla blanca de pulir.
3. Para aplicar cera en pasta: Fije el portaalmohadilla motriz negro a la Máquina Orbiter® Multi-Floor. Aplique una cucharada grande de cera en pasta en 4 secciones de la almohadilla blanca de pulir. Coloque la almohadilla blanca de pulir sobre el piso y centre el portaalmohadilla motriz negro sobre la almohadilla. Desplace la Máquina Orbiter® Multi-Floor en un movimiento hacia adelante y hacia atrás, y extienda la cera en pasta en una capa fina. Deje que la cera en pasta seque durante 5 minutos. Dé vuelta la almohadilla blanca de pulir, y con el lado limpio lustre el piso. Para obtener mayor lustre, utilice el cepillo tostado de pulir o el bonete de lana de cordero.

#### Sugerencias útiles:

1. Cuando el piso se vea opaco, antes de volver a aplicar cera intente primero lustrarlo, para ver si esto restaura el lustre original.
2. Cuando las áreas de alto uso no respondan más al lustrado, encere únicamente aquellas áreas y lustre todo el resto del piso, para lograr un lustre uniforme.
3. Use una cera en pasta transparente, para retener el color natural del piso. En pisos viejos utilice la cera en pasta Indian Sand, para agregar un poco de color y ayudar a disimular las manchas.

## Aplicación en pisos de baldosas

### Limpeza profunda

#### Equipos y materiales necesarios:

- Máquina Orbiter® Multi-Floor
- Portaalmohadilla motriz negro
- Cepillo naranja de fregar o Cepillo negro para alfombras
- Bonete blanco de tela de toalla
- Limpiador para pisos de baldosas Grunge Attack®

#### Procedimiento:

El limpiador para pisos de baldosas Grunge Attack® desprende la suciedad, el tizne y la grasa de los pisos de baldosas y las juntas, dando resultados resplandecientes.

1. Diluya el limpiador para pisos de baldosas Grunge Attack® en una botella rociadora separada, de acuerdo con las instrucciones de su recipiente.
2. Rocíe ligeramente el limpiador para pisos de baldosas Grunge Attack® diluido sobre un área de 1,80 m x 1,80 m (6' x 6') aproximadamente.
3. En pisos de baldosas cerámicas o de concreto limpie con la Máquina Orbiter® Multi-Floor y un cepillo naranja de fregar. En pisos de baldosas delicadas o esmaltadas de cerámica o de porcelana, utilice la Máquina Orbiter® Multi-Floor y el cepillo negro para alfombras.
4. Repita los pasos 1 al 3 hasta haber limpiado el piso por completo.
5. Pase nuevamente por el piso limpio la Máquina Orbiter® Multi-Floor y el bonete blanco de tela de toalla, para eliminar toda la suciedad desprendida por el cepillo naranja de fregar. Si fuera necesario, moje el piso con agua o con limpiador para pisos de baldosas Grunge Attack® diluido.

Vea las instrucciones completas en la botella del limpiador para pisos de baldosas Grunge Attack®.

### Limpeza ligera

#### Equipos y materiales necesarios:

- Máquina Orbiter® Multi-Floor
- Bonete blanco de tela de toalla
- Limpiador para pisos de baldosas Grunge Attack®

#### Procedimiento:

El limpiador para pisos de baldosas Grunge Attack® desprende la suciedad, el tizne y la grasa de los pisos de baldosas y las juntas, dando resultados resplandecientes.

1. Diluya el limpiador para pisos de baldosas Grunge Attack® de acuerdo con las instrucciones de su recipiente.
2. Rocíe ligeramente el limpiador para pisos de baldosas Grunge Attack® sobre un área de 1,80 m x 1,80 m (6' x 6') aproximadamente.



3. Limpie con la Máquina Orbiter® Multi-Floor y el bonete blanco de tela de toalla. Este bonete está diseñado para desprender y eliminar la suciedad de superficies duras.

Vea las instrucciones completas en la botella del limpiador Grunge Attack®.

## Aplicación en pisos de piedra

### Limpieza profunda

Para la limpieza de todo tipo de pisos de piedra, incluidos los de mármol, granito, pizarra y otros tipos de piedra.

#### Equipos y materiales:

- Máquina Orbiter® Multi-Floor
- Cepillo tostado de pulir (mezcla Union)
- Limpiador para pisos de piedra Stone Clear Bottom®
- Aspiradora, escoba o trapeador para polvo
- Trapeador y balde

#### Procedimiento:

El limpiador para pisos de piedra Stone Clear Bottom® es un limpiador balanceado para uso diario, con pH neutro, diseñado para limpiar en forma segura todo tipo de superficies de piedra sin dañar la superficie cristalina natural de la piedra.

1. Limpie el piso con una aspiradora, escoba o trapeador para polvo, para asegurar que se elimine toda la arenisca que pudiera haber.
2. Diluya el limpiador para pisos de piedra Stone Clear Bottom® de acuerdo con las instrucciones de su recipiente.
3. Para limpiar pisos de piedra y juntas, utilice la Máquina Orbiter® Multi-Floor y el cepillo tostado de pulir (mezcla Union).
4. Para eliminar la suciedad y el tizne desprendidos por el cepillo, pase por el piso el trapeador para polvo con agua limpia o con la solución de limpieza Stone Clear Bottom®.

Vea las instrucciones completas en la botella de Stone Clear Bottom®.

### Restauración de mármol

La crema pulidora Michelangelo's Marble Restorer® es una mezcla exclusiva de microabrasivos que restaura en forma segura la estructura cristalina natural de la piedra, para rejuvenecer el brillo que el mármol tuvo anteriormente. Revive en forma segura y efectiva las superficies de mármol con opacidad, arañazos superficiales ligeros, abrasiones, marcas de ataque químico, vetado en paredes de duchas, marcas de agua y marcas de vasos.

#### Equipos y materiales necesarios:

- Máquina Orbiter® Multi-Floor
- Portaalmohadilla motriz negro
- Almohadilla beige para mármol
- Almohadilla blanca de pulir
- Limpiador para pisos de piedra Stone Clear Bottom®
- Bonete de lana de cordero (opcional)
- Crema pulidora Michelangelo's Marble Restorer®

- Aspiradora, trapeador para polvo o escoba
- Trapeador y balde
- Escobilla de caucho

#### Procedimiento:

1. Limpie el piso con una aspiradora, escoba o trapeador para polvo, para asegurar que se haya eliminado toda la arenisca que pudiera haber. Deben eliminarse todos los recubrimientos localizados.
2. Rocíe agua en el piso, y aplique luego un pequeño trozo de crema pulidora Michelangelo's Marble Restorer® de 5 cm (2") de diámetro por cada 1,5 m<sup>2</sup> (16 pies cuadrados) de superficie. Comience a lustrar el área mediante la Máquina Orbiter® Multi-Floor y la almohadilla beige para mármol. Haga cinco o más pasadas de lustrado, manteniendo el producto en forma de pasta aguada. No deje que el producto se seque sobre el piso, y rocíe más agua si fuera necesario.
3. Verifique los resultados desplazando la pasta con una escobilla de caucho. Vuelva a aplicar o continúe lustrando si fuera necesario. Elimine la pasta con la escobilla de caucho, la aspiradora para agua y polvo (Mojado-Seco) o un trapeador limpio.
4. Trapee el piso inmediatamente con una mezcla de 60 mL (2 onzas) del limpiador para pisos de piedra Stone Clear Bottom® y 4 L (1 galón) de agua, y asegúrese de haber eliminado del piso completamente la crema pulidora Michelangelo's Marble Restorer®.
5. Deje que el piso se seque por completo. Lustre el piso con la Máquina Orbiter® Multi-Floor y una almohadilla blanca de pulir.

Vea las instrucciones completas en la botella de Michelangelo's Marble Restorer®.

## Aplicación en concreto y asfalto

### Eliminación de aceite y suciedad

El polvo absorbente Greaselock® limpia concreto y asfalto en forma efectiva y segura, sin utilizar solventes. Greaselock® es un producto mineral natural, que absorbe y captura el aceite y la suciedad de modo que puedan desecharse o eliminarse por enjuague en forma segura.

#### Equipos y materiales necesarios:

- Máquina Orbiter® Multi-Floor
- Portaalmohadilla motriz negro
- Polvo absorbente Greaselock®
- Almohadilla café de desprender
- Cepillo naranja de fregar

#### Procedimiento:

Para limpiar aceite, suciedad, moho y hongos en concreto liso, utilice el polvo absorbente Greaselock® y la almohadilla café de desprender. Para limpiar concreto o asfalto rugosos o de superficie irregular, utilice el polvo absorbente Greaselock® y el cepillo naranja de fregar.

1. Para manchas frescas o derrames que no hayan secado, utilice el polvo absorbente Greaselock® como polvo seco. Para manchas secas, agregue un poco de agua durante la etapa de mezcla o de fregado.
2. Aplique el polvo absorbente Greaselock® en forma abundante al derrame o área a limpiar, cubriéndolo por completo. Espere a que se produzca la absorción: de cinco a diez minutos para manchas frescas, o toda la noche para manchas secas.
3. Para agitar el polvo en el piso utilice la Máquina Orbiter® Multi-Floor y la almohadilla café de desprender o el cepillo naranja de fregar. Trapee el piso o lávelo con manguera, si fuera necesario.

Vea las instrucciones completas en el envase del polvo absorbente Greaselock®.

## Accesorios

Oreck le ofrece una línea completa de accesorios que le brindan las herramientas que necesita para su trabajo.

Algunos de los accesorios que se indican a continuación pueden venir incluidos con su Máquina Orbiter® Multi-Floor, según sea la unidad que haya comprado. Todos estos accesorios se encuentran disponibles en cualquiera de las más de 450 tiendas minoristas de Oreck o en nuestro sitio Web, [www.oreck.com](http://www.oreck.com).

Al elegir diferentes almohadillas y cepillos para la Orbiter®, la selección de un accesorio para un piso en particular no es una ciencia exacta. Los bonetes son buenos para limpieza superficial en la mayoría de los tipos de pisos. Las almohadillas son buenas para fregar y pulir superficies planas. Los cepillos funcionan bien para introducirse en huecos de superficies no planas, como baldosas, donde las cerdas pueden penetrar en las juntas. Cuando elija un accesorio, recuerde: usted necesita uno que sea lo suficientemente agresivo para hacer el trabajo, pero lo suficientemente suave para no dañar el piso. Use el sentido común. Por ejemplo, no use una almohadilla café de desprender (agresiva) en un piso de madera (piso blando). Comience con lo que sea seguro y luego pase a un accesorio más agresivo, si fuera necesario.

**Nota:** Oreck recomienda quitar los cepillos y las almohadillas cuando almacene la Máquina Orbiter® Multi-Floor. Si se guardan colocados en la máquina, los accesorios pueden deformarse.

### De uso general

#### Portaalmohadilla motriz negro 53178-51-0327

(De plástico negro, con dientes)

- Mantiene colocadas las almohadillas y bonetes



### Bonetes

Los bonetes están diseñados para la limpieza superficial de la mayoría de las superficies. Son lavables, y pueden volver a utilizarse.



#### Bonete blanco de tela de toalla 437053

- Este bonete limpia la faja de tránsito y las manchas de la alfombra, sin mojarla en su totalidad.
- Utilícelo con el pre-rocado para aflojar la suciedad Premis® y el limpiador Dry Carpet, ambos de Oreck.
- Cuando se haya ensuciado un lado del bonete, delo vuelta y utilice el otro lado.
- Cuando se complete el trabajo, limpie el bonete blanco de tela de toalla en la máquina de lavar, con agua fría, o lávelo con manguera y déjelo secar al aire.

#### Bonete de lana de cordero 437054

- Diseñado para proporcionar el mejor brillo posible en pisos de madera, de baldosas y vinílicos.
- Utilice el bonete para el lustrado de todos los días, para quitar las marcas de rasguños.
- Cuando se complete el trabajo, limpie el bonete de lana de cordero en la máquina de lavar, con agua fría, o lávelo con manguera y déjelo secar al aire.

Para saber cómo utilizar un bonete, vea 'Instalación de accesorios' en la página 4, y 'Extracción de accesorios' en la páginas 27-28.

### Almohadillas

Las almohadillas están diseñadas para ser porosas y de textura abierta (excepto la almohadilla beige), de modo que cuando aflojen la suciedad, puedan recogerla. La suciedad penetra en la almohadilla (es decir, sale del piso). Todas las almohadillas pueden darse vuelta y utilizarse del otro lado, antes de limpiarlas o eliminarlas. Las almohadillas pueden, en algunos casos, lavarse con manguera y volver a utilizarse.



Las almohadillas están diferenciadas por colores, que dependen de cuán agresivas sean (excepto la almohadilla beige para mármol): La blanca es la más suave, seguida por la azul (de agresividad media) y la café, que es la más agresiva.

#### Almohadilla blanca de pulir 437051

(la menos agresiva)

- Aplicación de cera en pasta.
- Limpieza y pulido de madera (recubierta o no), linóleo o laminado.
- Limpia todo tipo de superficies, excepto la piedra.

#### Almohadilla azul de fregar 437057

(de agresividad media)

- Se utiliza para el fregado.
- Limpia baldosas y concreto.

#### Almohadilla café de desprender 437049

(la más agresiva)

- Desprende recubrimientos de pisos de linóleo, de vinilo, laminados y de baldosas.
- Limpia y friega baldosas y juntas.

- Puede utilizarse en vinilo comercial.
- Utilícelo en concreto liso.
- Utilícelo con mallas abrasivas.
- Friega y limpia plataformas de madera.

**Almohadilla beige para mármol 437058**

(para mármol únicamente)

- Para la restauración y limpieza de pisos de mármol.

Para saber cómo utilizar una almohadilla para pisos, vea 'Instalación de accesorios' en la página 4, y 'Extracción de accesorios' en la páginas 27-28.

**Cepillos**

Los cepillos están diseñados para introducirse en los surcos y huecos de superficies no planas. Desprenden y eliminan la suciedad y el tizne impregnados.



Están diferenciados por colores, que dependen de cuán agresivos sean. El cepillo negro para alfombras es el menos agresivo; le sigue el cepillo tostado de pulir (mezcla Union). El más agresivo es el cepillo naranja de fregar.

**Cepillo negro para alfombras 237049**

(el menos agresivo)

- Utilícelo con el Champú Seco de Oreck.
- Acción segura y suave, necesaria para la limpieza de alfombras.
- Utilícelo en linóleo texturado.
- Utilícelo para limpiar baldosas delicadas o esmaltadas de cerámica o de porcelana.

**Cepillo tostado de pulir 237048**  
(mezcla Union)

(de agresividad media)

- Utilícelo para pulir pisos de madera.
- Disemina el posible exceso de cera para pisos, mantiene un recubrimiento uniforme de cera y elimina sus acumulaciones.
- Utilícelo para penetrar en las grietas de un piso de madera.
- Utilícelo para pulir pisos de madera encerados.
- Utilícelo para pisos de mármol, de piedra y de baldosas delicadas.

**Cepillo naranja de fregar 237047**  
(el más agresivo)

- Se utiliza para limpiar baldosas cerámicas o concreto, en especial las manchas difíciles.

Para saber cómo utilizar un cepillo, vea 'Instalación de accesorios' en la página 4, y 'Extracción de accesorios' en la páginas 27-28.

**Mallas abrasivas**

Las mallas abrasivas ofrecen la mejor opción para el lijado de pisos. Para todas las mallas abrasivas, coloque el portaalmohadilla motriz negro en la Máquina Orbiter® Multi-Floor. Luego coloque la malla abrasiva debajo de cualquier almohadilla para pisos, en el piso, y centre la Máquina Orbiter® Multi-Floor sobre la almohadilla.



- Grano 60**
- Grano 80**
- Grano 100**

- SS12060**
- SS12080**
- SS12100**

Para preguntas o información acerca de la línea Oreck de productos de limpieza, llame o visite a su vendedor local Oreck.

**RESIDENTIAL**

**USA: 1-800-989-3535**

**Canadá: 1-888-676-7325**

**www.oreck.com**

**COMMERCIAL**

**Commercial: 1-800-242-1378**

**www.oreckcommercial.com**

**Mantenimiento y localización de fallas**

**Cuidado de su Máquina Orbiter® Multi-Floor**

Esta es una máquina de precisión. Las caídas, impactos inmoderados o manejo rudo pueden provocar daños al sistema de contrapeso balanceado. Envuelva el cordón de alimentación eléctrica flojamente alrededor de los dos ganchos de la manija. Quite los cepillos después del uso. Si no lo hace, las cerdas pueden dañarse debido al peso de la máquina. Guarde su máquina en posición vertical. Después de cada uso, extraiga de la unidad la cera o las soluciones de limpieza. Después del lijado, sopla el aserrín que pudiera haber quedado en el motor. Después de cada uso, limpie la carcasa y el amortiguador de golpes con un paño húmedo. Con un poco de cuidado, su Orbiter® se mantendrá siempre como nueva.

**Mantenimiento por el usuario**

Los cojinetes del motor de la Orbiter® están lubricados y sellados en la fábrica. Todo otro servicio debe realizarlo un centro autorizado de servicio. En el interior de la máquina no existen piezas reparables por el usuario.

**Guía Para Identificación De Problemas**



**ADVERTENCIA:** Desconecte el cordón de la toma eléctrica antes de dar servicio.

PROBLEMA	POSIBLE CAUSA	AREAS A VERIFICAR
<b>La máquina para pisos no funciona</b>	No está bien conectada.	Al utilizar el cepillo negro para alfombras en una alfombra berebere o de pelo corto. Asegúrese que la aspiradora esté firmemente conectada en la toma de corriente de la pared.
	No hay electricidad en la toma de corriente en la pared.	Revise el fusible de la fuente de electricidad o el interruptor automático del circuito.
	Fusible quemado/disyuntor disparado	Cambiar el fusible/reconectar el disyuntor
	Se disparó el disyuntor de circuito del motor	Llevar el interruptor a la posición APAGADO ('OFF') y desenchufar la máquina. Inspeccionar el eje del motor para ver si está trabado. Dejar transcurrir 30 minutos para que el motor se enfríe y el sistema se reconecte. Si la unidad está equipada con un botón rojo de reconexión, oprimirlo.
<b>La máquina para pisos rebota</b>	El cepillo o portaalmohadilla no está bien colocado.	Colocarlo correctamente. (Ver las instrucciones de manejo.)
	Se utiliza el cepillo sobre una superficie seca sin champú en polvo o líquido.	Aplicar la cantidad necesaria de champú en polvo o líquido.  Utilice el bonete blanco de tela de toalla en lugar del cepillo.

**TOUTES LES AUTRES RÉPARATIONS DOIVENT ÊTRE FAITES DANS UN CENTRE DE RÉPARATION AUTORISÉ.**

**LLAME A CLIENTE EL SERVICIO  
LA LÍNEA CALIENTE  
USA: 1-800-989-3535  
CANADA: 1-888-676-7325  
COMMERCIAL: 1-800-242-1378**

©2008 Oreck Holdings, LLC. All Rights Reserved. All word marks, logos, product configurations, and registered trademarks are owned and used under the authority of Oreck Holdings, LLC. Printed in America.

**53367-01 REV F  
03/08 ECN# R-8997**